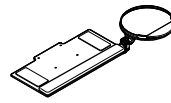


# Platform

## Installation Instructions



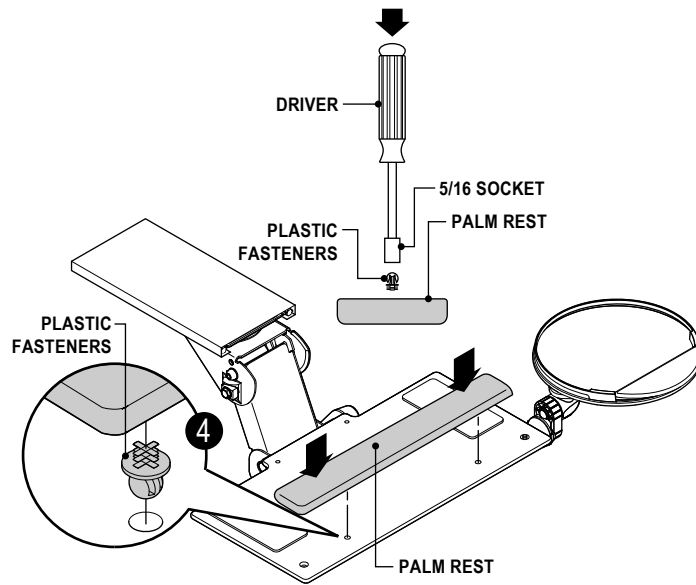
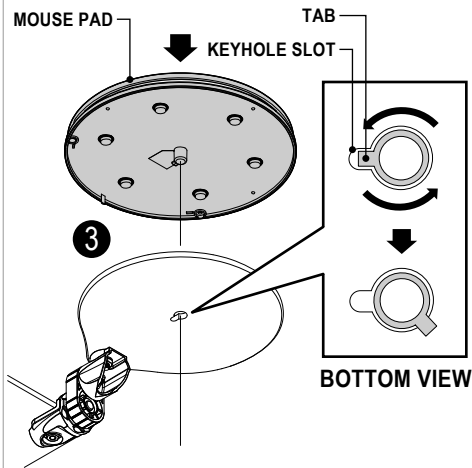
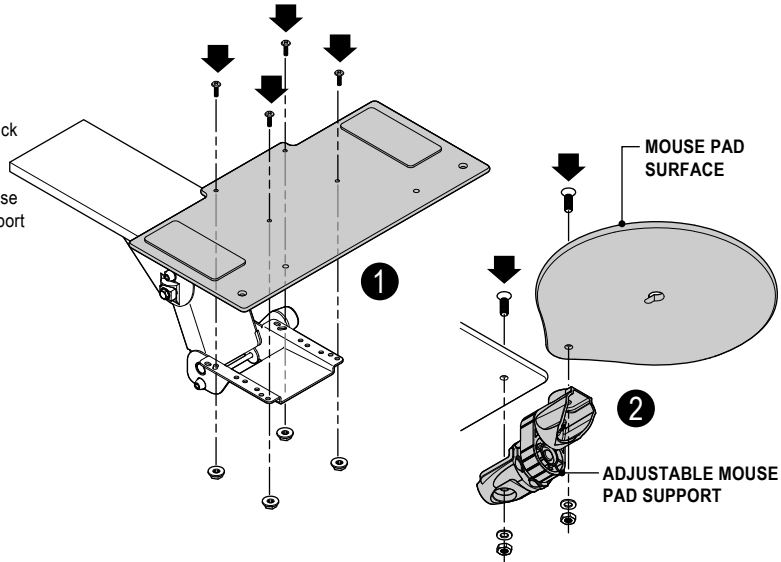
Platform  
19 AM

18380901 Rev A Page 1 of 1

- 1 Using the hardware provided, attach the platform to the mechanism, which has already been mounted in the storage track.

**NOTE:** For quick connect attachment use quick connect nuts in place of the standard nuts.

- 2 Using the hardware provided, attach the Mouse Pad Surface and Adjustable Mouse Pad Support to the platform.
- 3 Attach the Mouse Pad. Align the tab with the keyhole slot and rotate.
- 4 Attach the Palm Rest using the plastic fasteners provided. (If supplied) Use driver with 5/16 socket to press plastic fastener into palm rest. **DO NOT TWIST DRIVER. PUSH STRAIGHT DOWN.**



For a better day at work.™

# details®

A STEELCASE COMPANY

P.O. Box 1967 / CD-5E / Grand Rapids, MI 49501-1967 / [www.details-worktools.com](http://www.details-worktools.com)

©2007 Office Details Inc. All rights reserved. Printed in U.S.A. 8/07