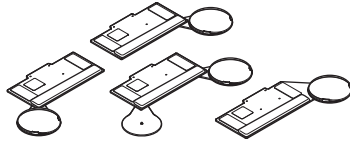


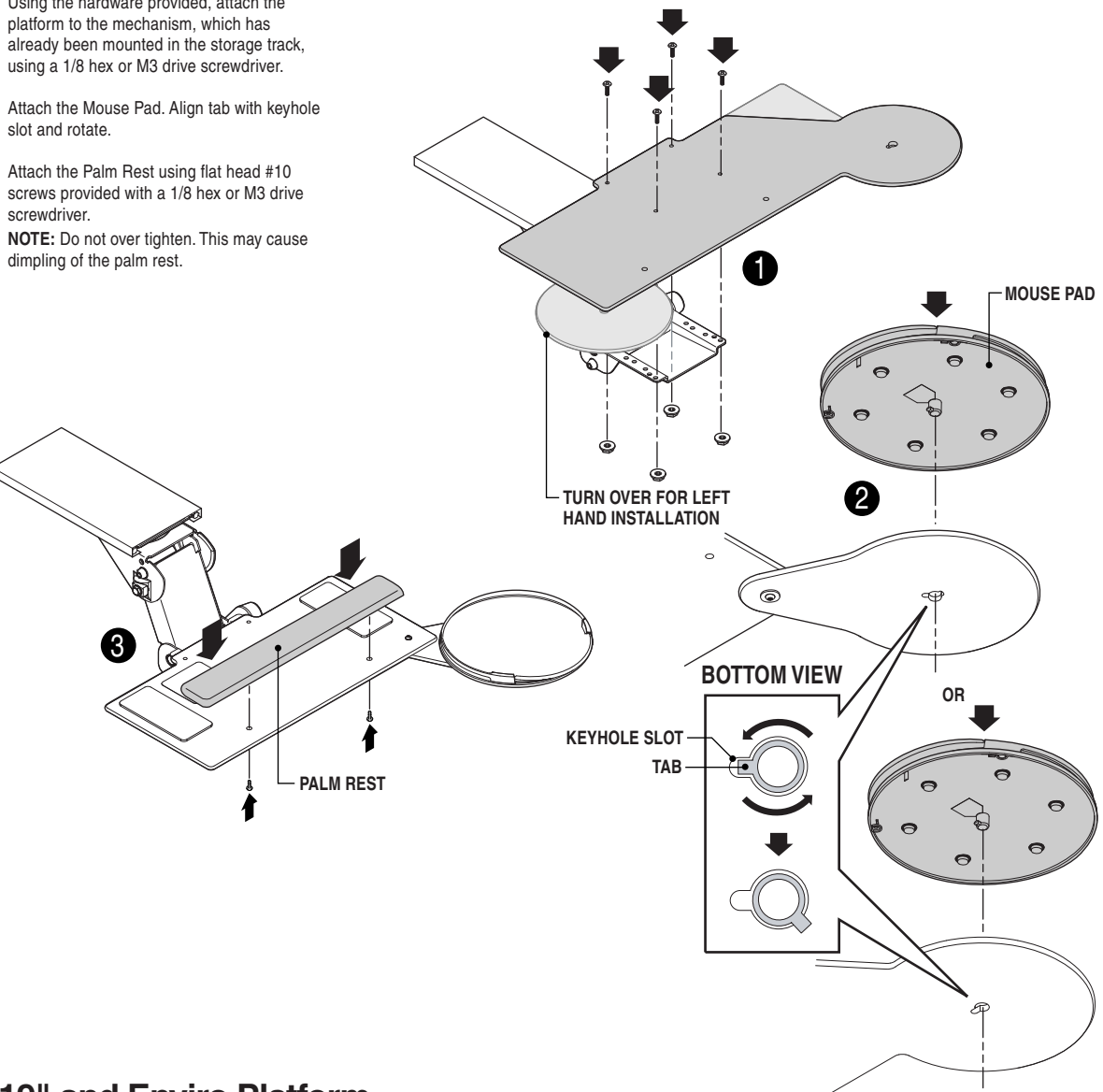
Platform

Installation Instructions 002634D Rev K

26 10 00 19ML
 26 10 GG 19MR
 26 10 GG26 19MD
 EN10



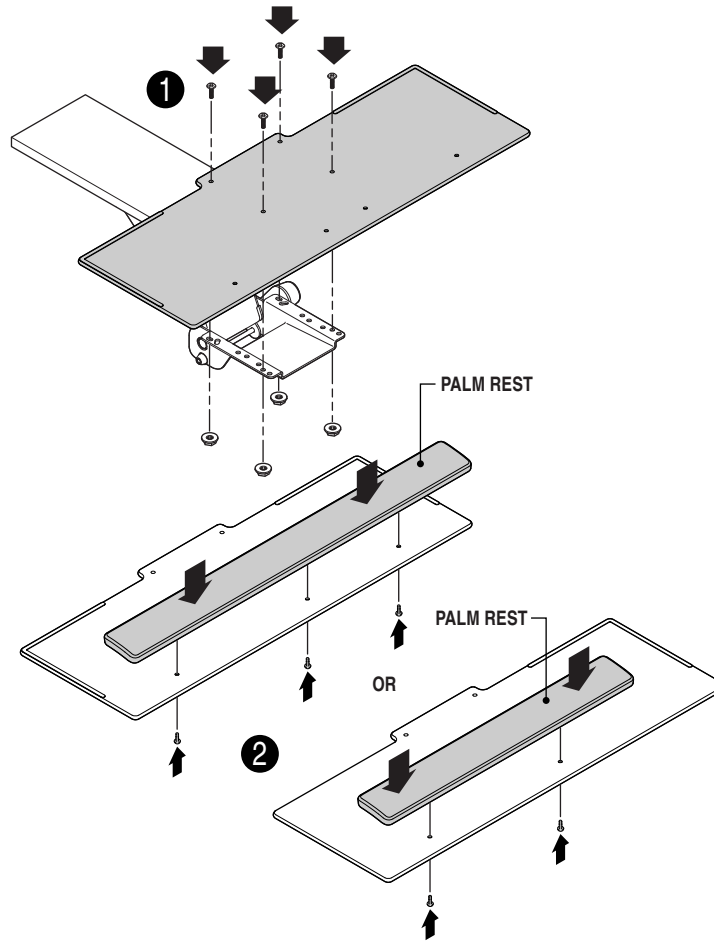
- 1** Using the hardware provided, attach the platform to the mechanism, which has already been mounted in the storage track, using a 1/8 hex or M3 drive screwdriver.
- 2** Attach the Mouse Pad. Align tab with keyhole slot and rotate.
- 3** Attach the Palm Rest using flat head #10 screws provided with a 1/8 hex or M3 drive screwdriver.



19" and Enviro Platform

002634D Rev K

- 1 Using the hardware provided, attach the platform to the mechanism, which has already been mounted in the storage track, using a 1/8 hex or M3 drive screwdriver.
- 2 Attach the Palm Rest using flat head #10 screws provided with a 1/8 hex or M3 drive screwdriver.
NOTE: Do not over tighten. This may cause dimpling of the palm rest.



26" Platform

For further information, please go to the Details website details-worktools.com or call 800.833.0411

P.O. Box 1967 / CD-5E Grand Rapids, MI 49501-1967

©2010 Steelcase Inc. All rights reserved. 7/11