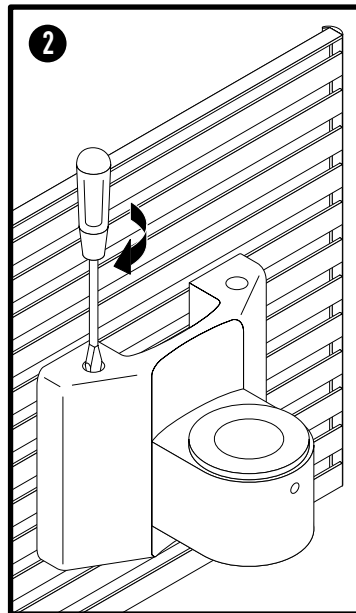
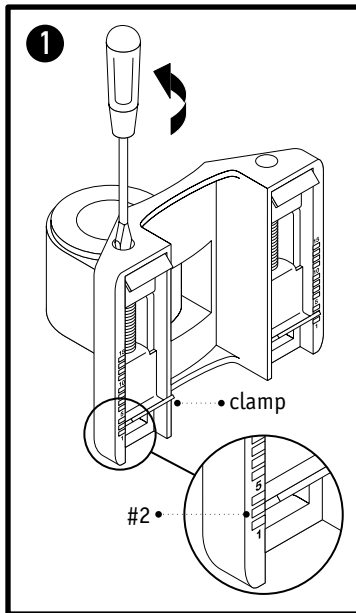
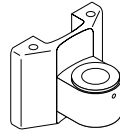




## Installation Instructions

002856D Rev B

Slatwall  
Flat Panel  
Arm Bracket  
CFSPSW



- 1 Using a Phillips head screw driver, turn screw counter-clockwise so that the lower part of the clamp lines up with position 2 on back side of bracket (use 1 - 15 scale).
- 2 Mount bracket to Slatwall in desired position. Turn each screw clockwise until secure, approximately 5 - 6 turns.

For a better day at work.™

**details**®

A STEELCASE COMPANY

[www.details-worktools.com](http://www.details-worktools.com)  
P.O. Box 1967 Grand Rapids, MI 49501-1967  
All rights reserved. Printed in U.S.A. 1/05