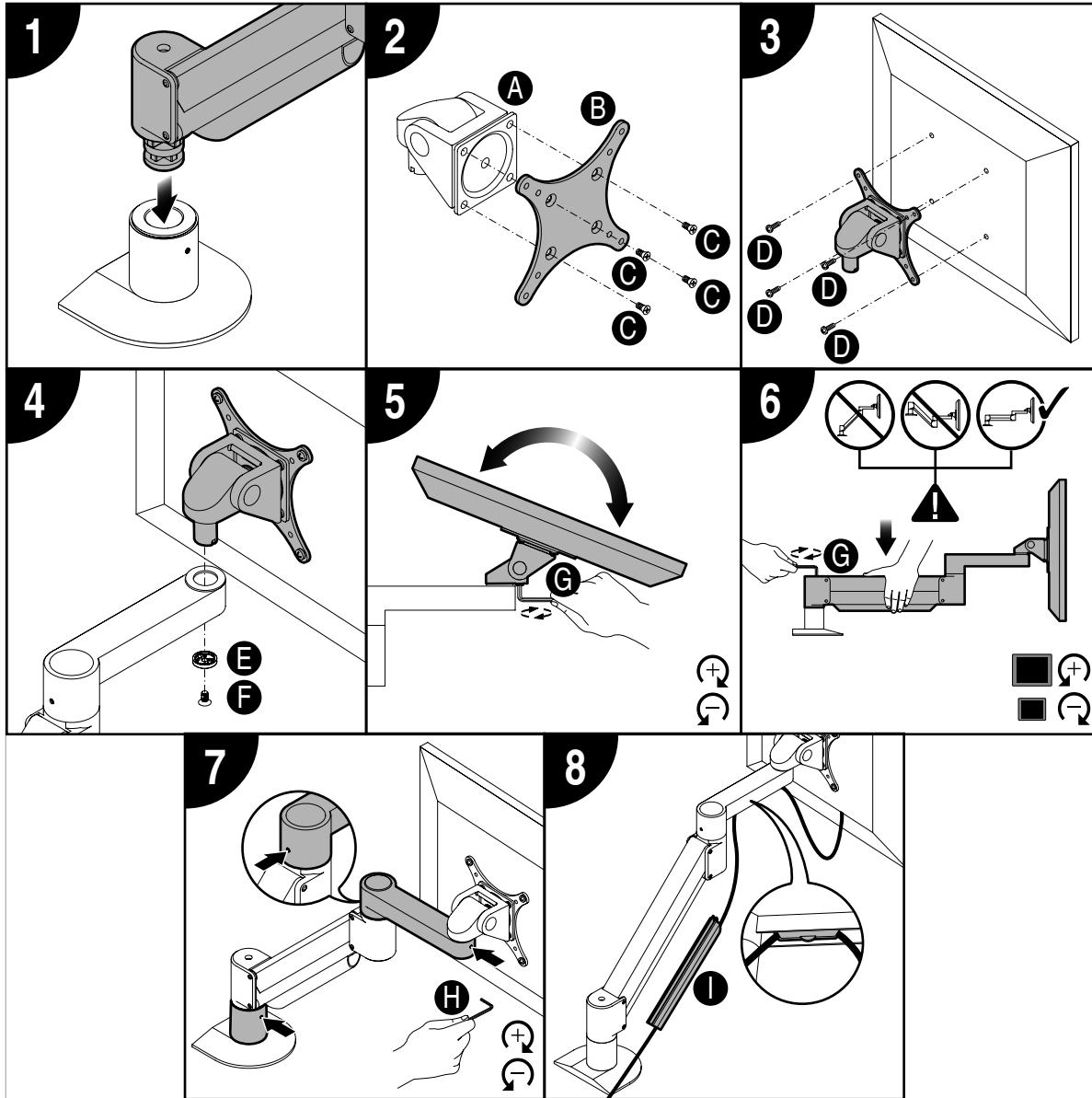


# Flat Screen Monitor Arm & Mount

## Installation Instructions

19321701 Rev B    **Page 1 of 4**  
P501645 Rev B



For a better day at work.™

# details®

A STEELCASE COMPANY

P.O. Box 1967 / CD-5E / Grand Rapids, MI 49501-1967 / [www.details-worktools.com](http://www.details-worktools.com)

©2007 Office Details Inc. All rights reserved. Printed in U.S.A. 2/09

Flat Screen Monitor Arm & Mount Installation Instructions

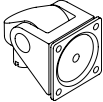


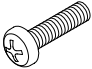
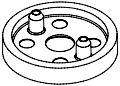

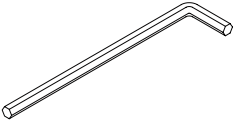

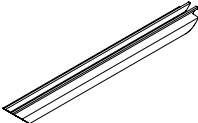
details®

# Flat Screen Monitor Arm & Mount

## Installation Instructions

19321701 Rev B **Page 2 of 4**  
P501645 Rev B

### Flat Screen Monitor Arm Parts List

ITEM	DESCRIPTION / PART NO.	QUANTITY
<b>A</b> 	<b>Sloped Tilter</b> 405397	1
<b>B</b> 	<b>75mm and 100mm Starfish VESA® Adapter Plate</b> 7VESA75	1
<b>C</b> 	<b>#10-32 x 3/8" Phillips Pan Head Screw</b> 702281	1 (4-pack)
<b>D</b> 	<b>M4-12 Phillips Pan Head Screw</b> 702096	4
<b>E</b> 	<b>Dog Washer</b> 105189	1
<b>F</b> 	<b>#10-32 x 3/8" FPhMS with Lock Patch</b> 705198	1
<b>G</b> 	<b>7/32" Allen Wrench</b> 701127	1
<b>H</b> 	<b>3/32" Allen Wrench</b> 700146	1
<b>I</b> 	<b>Cable Cap</b> 102043-9.5A	1

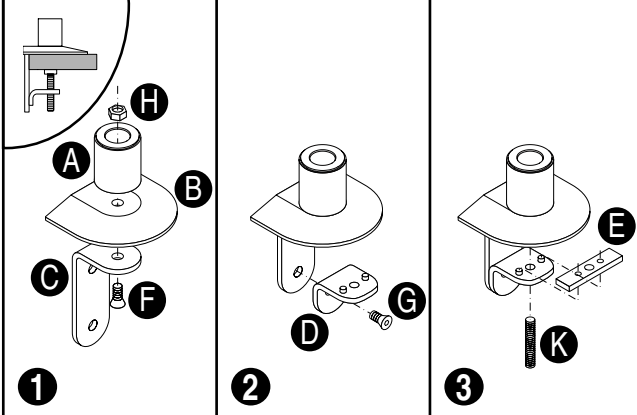
# Flat Screen Monitor Arm & Mount

## Installation Instructions

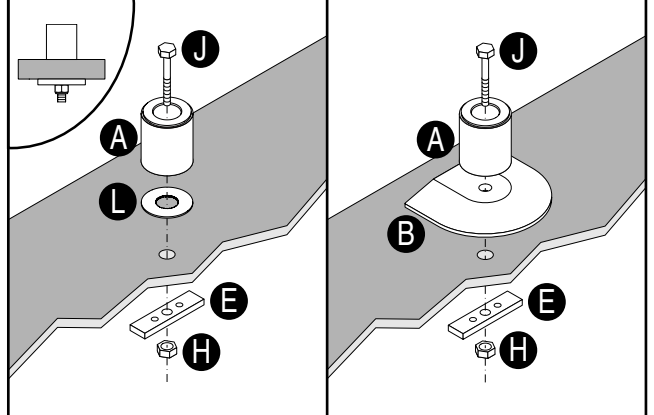
19321701 Rev B Page 3 of 4  
P501645 Rev B

### Flat Screen Monitor Arm Mount Options:

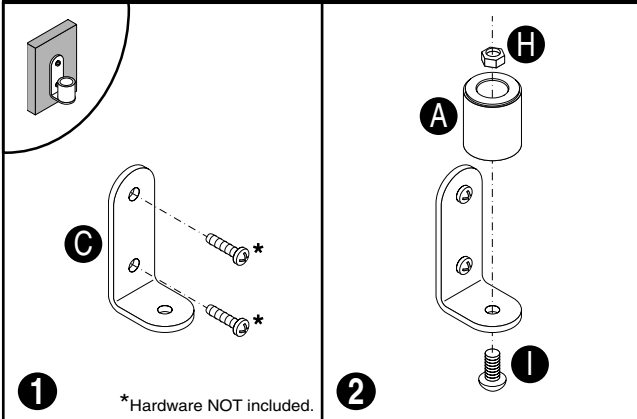
#### Desk Clamp



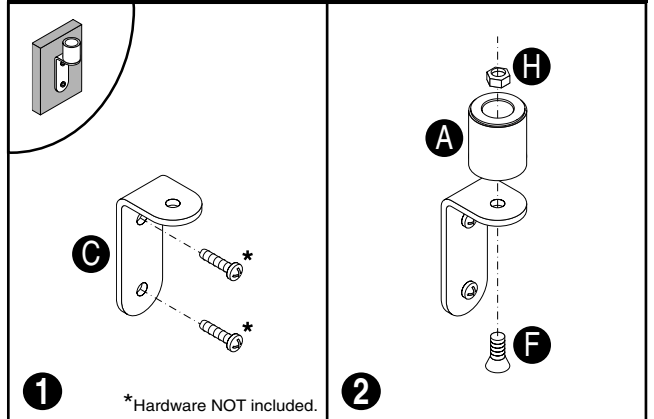
#### Thru-Desk



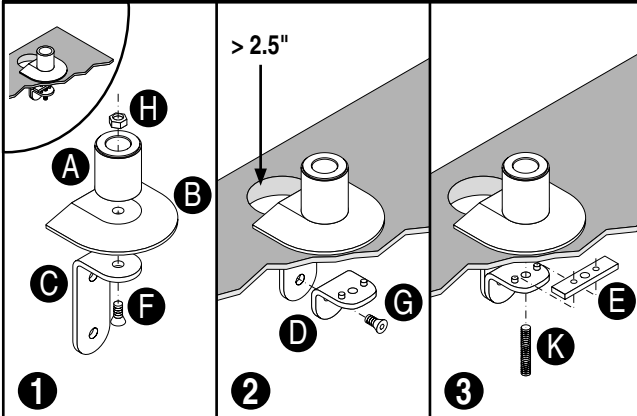
#### Wall Mount



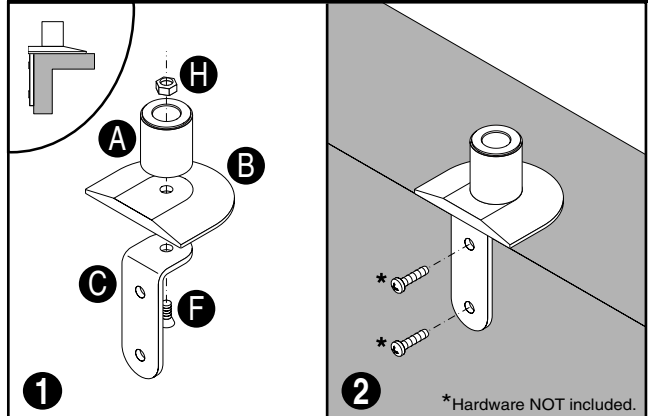
#### Reverse Wall Mount



#### Grommet Hole



#### Side Bolt


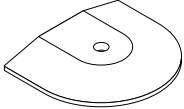
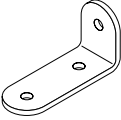
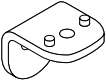
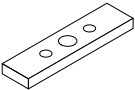
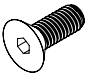
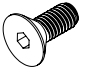
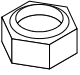

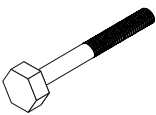
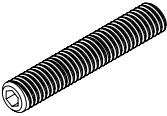



# Flat Screen Monitor Arm & Mount

## Installation Instructions

19321701 Rev B **Page 4 of 4**  
P501645 Rev B

### Flat Screen Monitor Arm Mount Parts List

ITEM	DESCRIPTION / PART NO.	QUANTITY
 <b>A</b>	<b>Mount Column</b> 401328	1
 <b>B</b>	<b>Base Plate</b> 401417	1
 <b>C</b>	<b>Large "L" Bracket</b> 701117	1
 <b>D</b>	<b>Small "L" Bracket</b> 701116	1
 <b>E</b>	<b>3" x 3/4" x 1/4" Rectangular Spacer</b> 701544	1
 <b>F</b>	<b>3/8-16 x 1" Flat Socket Cap Screw</b> 701124	1
 <b>G</b>	<b>3/8-16 x 7/8" Flat Socket Cap Screw</b> 701799	1
 <b>H</b>	<b>3/8-16 Nylon Stop Nut</b> 701418	1
 <b>I</b>	<b>3/8-16 x 7/8" Button Socket Cap Screw</b> 701122	1
 <b>J</b>	<b>3/8-16 x 2-1/2" Hex Head Bolt</b> 700268	1
 <b>K</b>	<b>1/2-13 x 3" Socket Set Screw</b> 701126	1
 <b>L</b>	<b>Foam Pad</b> 701120	1