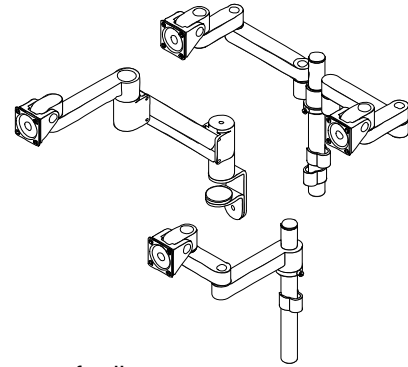


# Flat Panel Monitor Arms

## Customer Needs:

To support flat panel monitors in a workstation environment. Particularly important to users in workstation environments which offer limited space and/or non-height adjustable workspaces. Also applicable to multi-user workstations due to the ease of adjustment and storage when not in use.



## User Requirements:

- Ease of positioning of a flat panel monitor across a broad range of adjustment.
- Allows ease of height range and viewing angle changes.
- Allows monitor to be positioned at the correct viewing distance to relieve eyestrain.
- Frees valuable worksurface space that was previously unusable.
- Allows for the design of a smaller worksurface footprint to be specified effectively yielding more square footage.

## Product Features

- Style Numbers – Flat Panel Monitor Arms
  - CFWM Wall Mount Support
  - CF450 Light-Duty Arm
  - CF800 Standard Arm
  - CF1000 Heavy-Duty Arm
  - CFSHA Pole Mount, Single Arm
  - CFDHA Pole Mount, Double Arm
- Style Numbers – Flat Panel Monitor Arm Brackets
  - CFSPC Desk-Clamp / Grommet
  - CFSPTM Through Mount bracket
  - CFSPWM Wall / Reverse Wall Mount bracket
  - CFSPSW Slatwall bracket
  - CFSPSR SlatRail bracket
- Color: Charcoal or Pewter.
- Construction: Aluminum and steel
- Warranty: 10 years on arm and mounting methods, 5 years on pneumatic cylinder.
- CF800 and CF1000 have a 24" range of motion from the axis. CF450 has an 18" range of motion from the axis.
- CF800 and CF1000 are height adjustable a total of 16" dependent on mounting method.
- CF450 is height adjustable a total of 8-1/2" dependent on mounting method.
- Pole Mount Arms (CFSHA and CFDHA) can adjust vertically along the 12"H pole.
- Monitor Arms can be adjusted to handle loads between 4 and 35 lbs. (dependent on model).
- Monitor Arms have integrated cable management.
- The load bearing capacity adjusts with the use of a 7/32" hex wrench which is included.
- Monitor Arms can fold to fit within 3" of the mounting wall.
- Monitor Arms can rotate through 360 degrees at three separate points of articulation.
- The tilt mechanism operates through a range of 200 degrees (the Wall Mount Support can tilt 15 degrees up and down).
- Monitor Arms ship standard with both the 75mm and 100mm mounting plates.
- All tools required for mounting are included.

For additional information, visit the Details website: [www.details-worktools.com](http://www.details-worktools.com) or call 800-833-0411