

Vertical Processor Sling

Customer Needs:

A support to get the CPU off the desktop and into a less obtrusive location.

User Requirements:

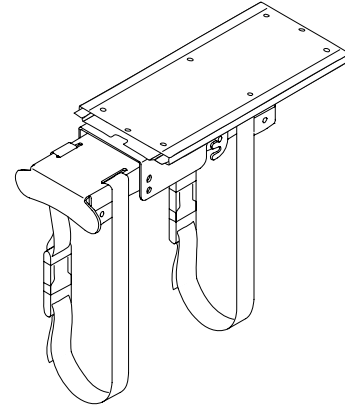
- Need access to drives, on/off switch
- Keep the CPU off the floor to avoid housekeeping incidents
- Feeling of stability

Product Features

Style Numbers:

CPRSL – Vertical Processor Sling

- Size: W 5½" x D 19½"
- Color: Black
- Construction: Powder-coated sheet metal with nylon straps
- Application: Product mounts to the underside of the worksurface
- Warranty: 10 years.
- Stores vertical, tower-oriented processors under the worksurface
- Steel chassis slides and swivels into mounted track
- Adjustable nylon straps with snap clips hold processor to chassis
- Supports processors with perimeters up to 53" and weights up to 75 lbs.
- Supports processors as narrow as 3½" and as shallow as 10½"
- Slides out 3" and swivels 360 degrees
- Requires a minimum 18" deep worksurface for proper mounting
- For use with processor in tower-orientation only
- Integrated 'thumb' handles allowing easy processor holder access



For further information, please go to the Details website details-worktools.com
or call 800.833.0411

P.O. Box 1967 / CD-5E Grand Rapids, MI 49501-1967
©2010 Steelcase Inc. All rights reserved. 5/10