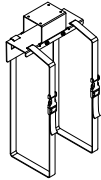


Vertical Processor Sling, Fixed Mount

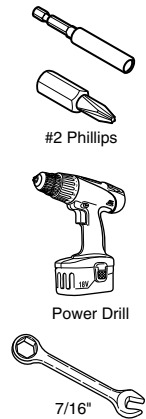
Compatible with c:scape and Frameone worksurfaces

Installation Instructions 21078501 Rev C

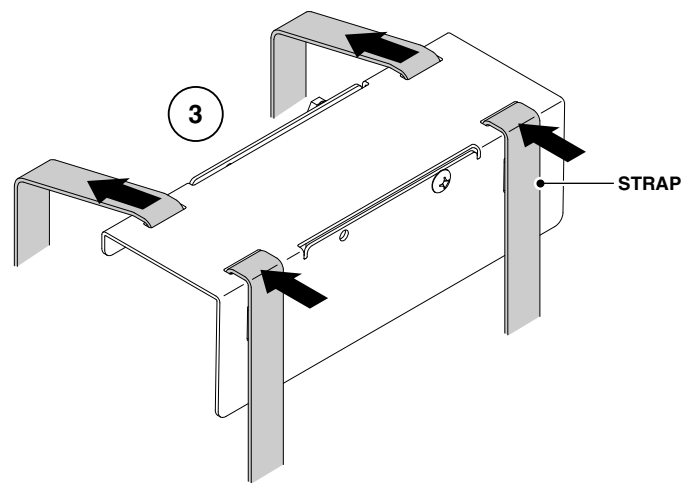
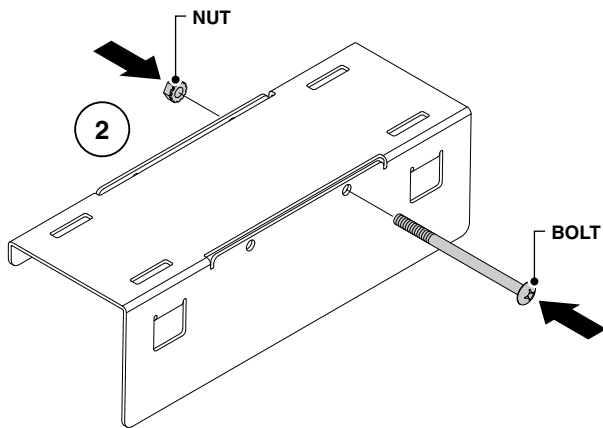
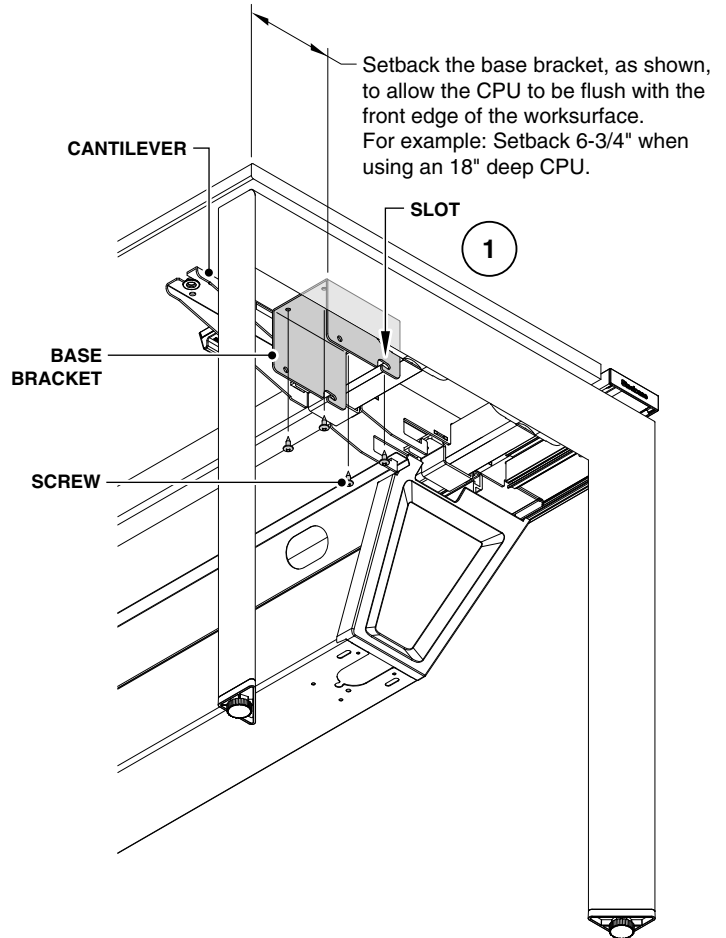
CPRSLFO



Tools required:

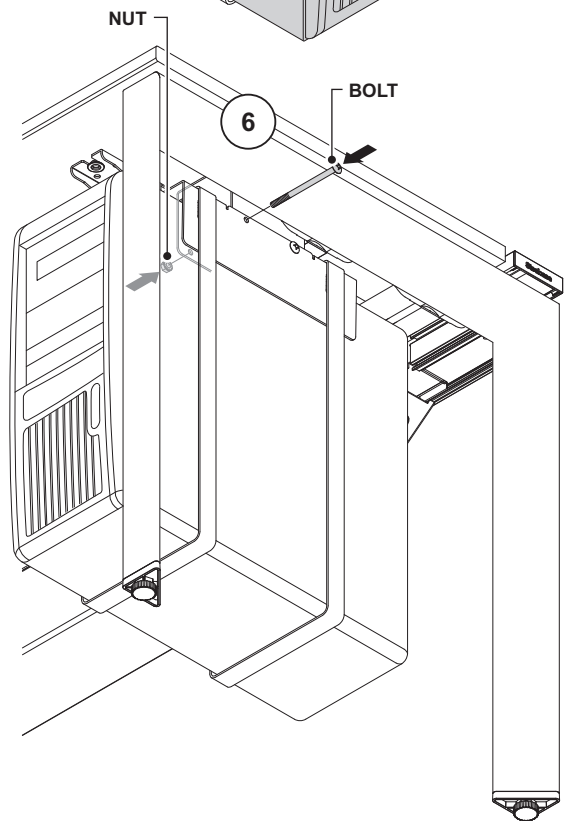
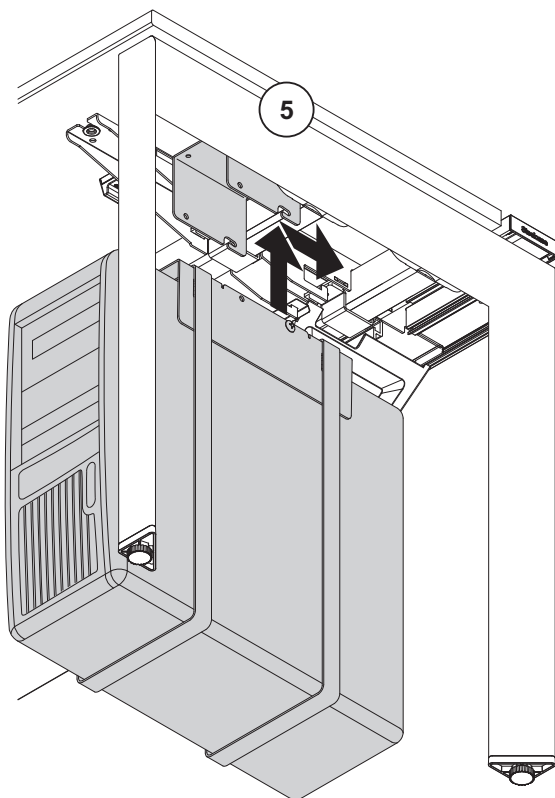
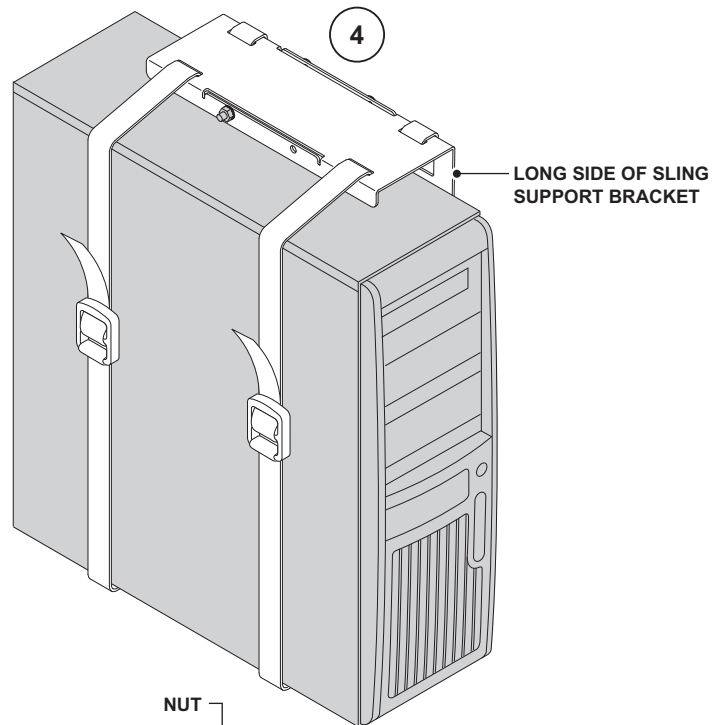


- 1** Place base bracket on underside of worksurface with slot towards the rear of the desk and base bracket no more than 1/4" from the cantilever to allow maximum clearance between CPU and desk leg. Install with four (4) 5/8" long screws (included).
- 2** Insert one (1) bolt through sling support bracket and loosely install the nut on the opposite side.
- 3** Thread straps through sling support bracket and place assembly onto the CPU.



21078501 Rev C

- 4 Orient sling support bracket on center of CPU and tighten straps.
NOTE: Long side of sling support bracket should be placed nearest the side of the desk.
- 5 Align the mounted bolt with the slot in the base bracket and slide up and to the rear into position.
- 6 Insert second bolt through the empty hole in the sling support bracket.
- 7 Tighten both bolts.



For further information, please go to the Details website details-worktools.com or call 800.833.0411

P.O. Box 1967 / CD-5E Grand Rapids, MI 49501-1967

©2010 Steelcase Inc. All rights reserved. 11/11