

Chart Holder

Customer Needs:

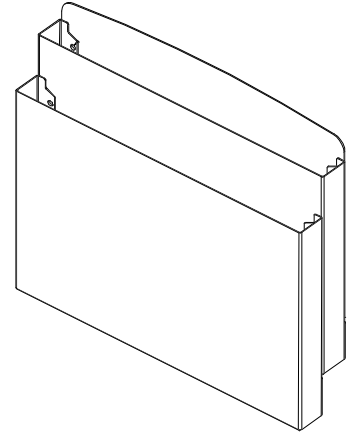
Cost-effective way to house standard letter-size file folders. This flexible Slatwall or SlatRail mounted system helps teams better manage information or reference materials conveniently. Information is kept within view and organized without being obtrusive.

Product Features

Style Numbers:

HCCHT – Chart Holder

- Size: W12" x H10½" x D2½"
- Color: Pewter
- Construction: Powder-coated steel
- Application: Slatwall, SlatRail
- Warranty: 10 Years
- Accommodates standard letter-size file folders.



For further information, please go to the Details website details-worktools.com
or call 800.833.0411

P.O. Box 1967 / CD-5E Grand Rapids, MI 49501-1967
©2009 Steelcase Inc. All rights reserved. 4/10