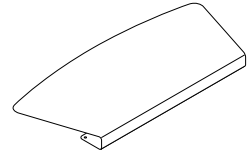




003319D Rev A

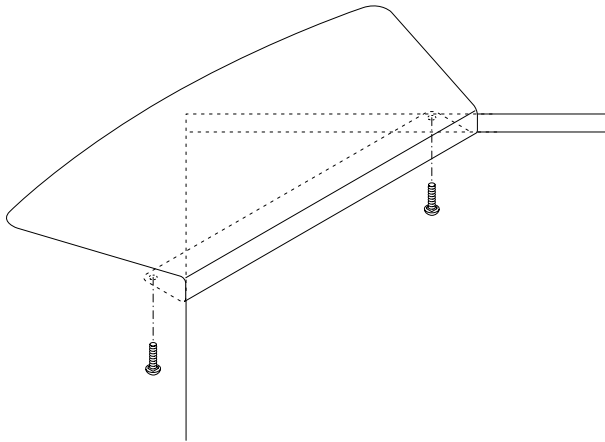
Installation Instructions

Corner Filler

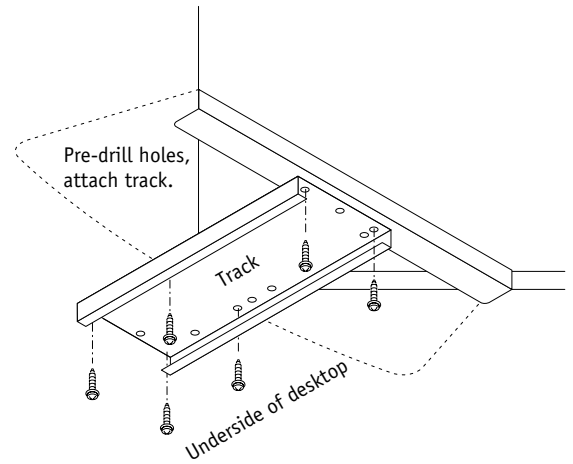


CCWS18125	18-inch Corner Filler for 1 1/4-inch worksurfaces
CCWS18150	18-inch Corner Filler for 1 1/2-inch worksurfaces
CCWS189	18-inch Corner Filler for S9000 worksurfaces
CCWS22125	22-inch Corner Filler for 1 1/4-inch worksurfaces
CCWS22150	22-inch Corner Filler for 1 1/2-inch worksurfaces
CCWS229	22-inch Corner Filler for S9000 worksurfaces

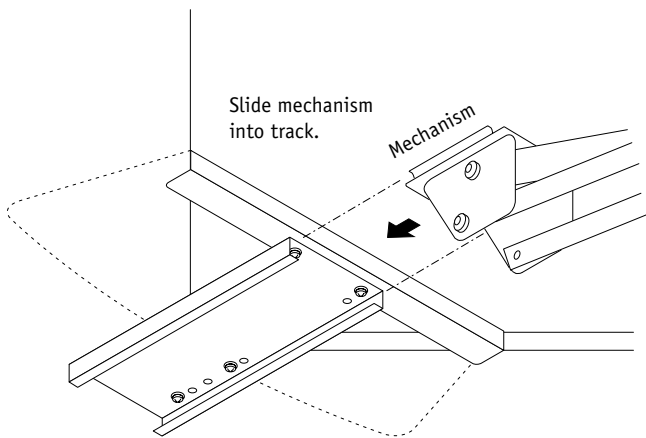
1 Attach Corner Filler to worksurfaces.



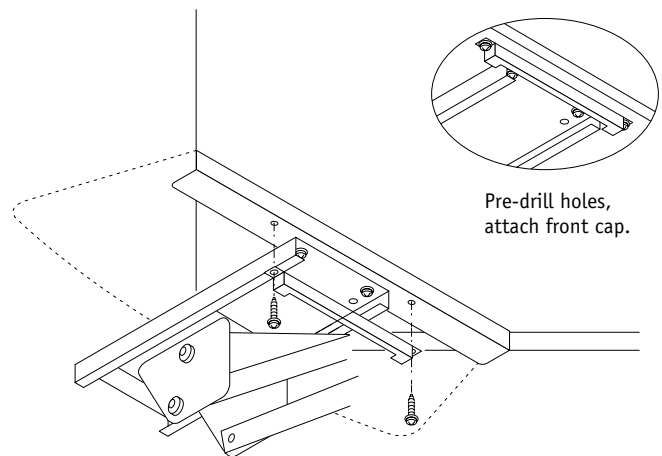
2



3



4



For a better day at work.™

details®

A STEELCASE COMPANY

www.details-worktools.com
P.O. Box 1967 Grand Rapids, MI 49501-1967
All rights reserved. Printed in U.S.A. 1/05