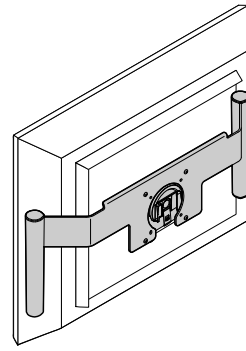
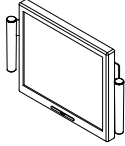


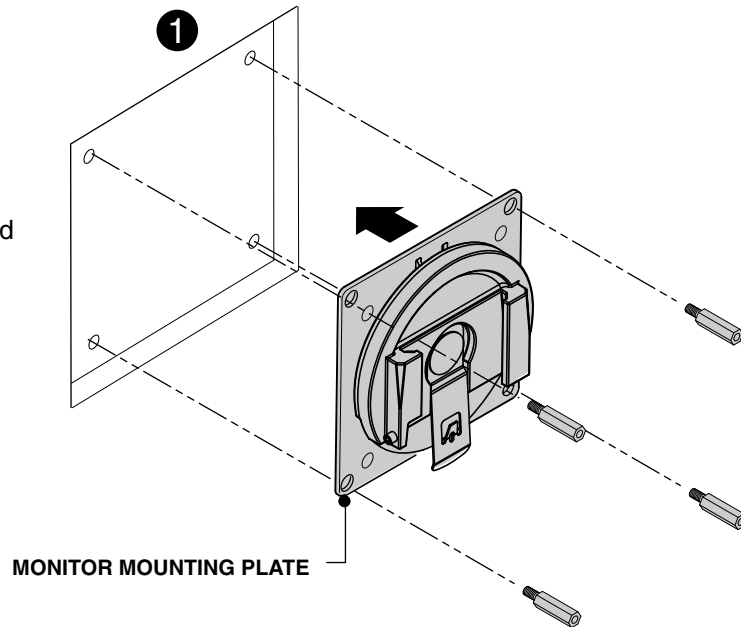
FPA Handle

Installation Instructions 20162401 Rev B

FPAHANDLE



- 1 Attach the monitor mounting plate to the backside of the flat panel monitor, using the included mounting studs.



- 2 Attach the handle frame to the mounting studs.

