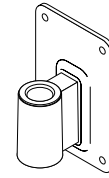




Installation Instructions

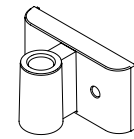
004004D Rev A

Page 1 of 1



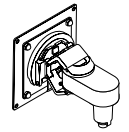
Wall Mount Bracket

FPAWALL



Slatwall/SlatRail Bracket

FPASWR



FYI Tilt/Pan Bracket

FPATILTPAN

Wall Mount

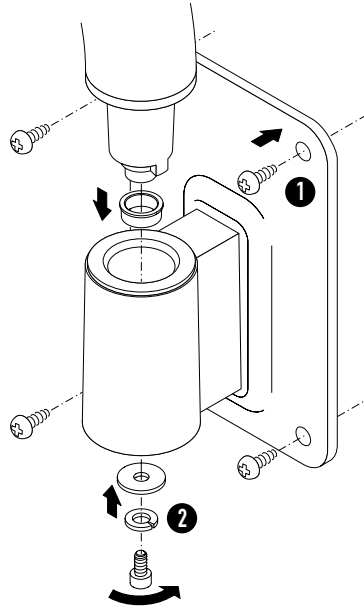
Attach assembly to wall with (4) fasteners (not included) appropriate to the construction of the wall.

Use #10 wood screws when attaching to a wood stud.

Use #10 toggle bolts when attaching directly to drywall or steel studs.

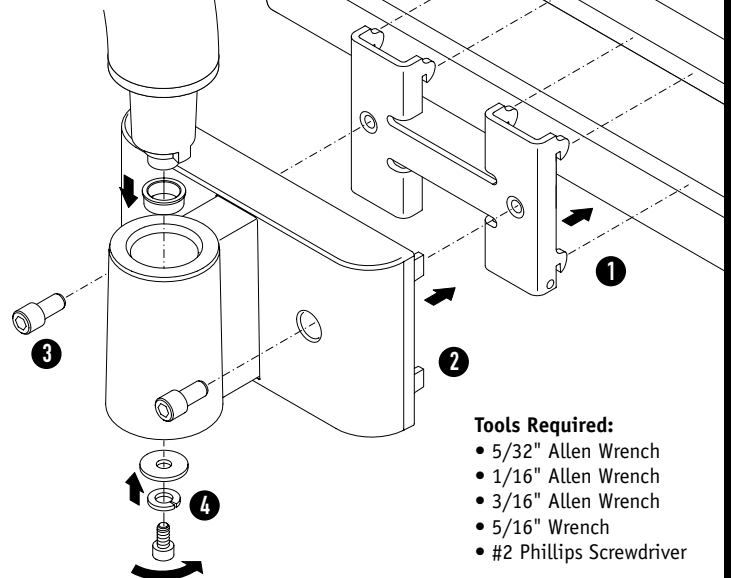
Tools Required:

- 5/32" Allen Wrench
- 1/16" Allen Wrench
- 5/16" Wrench
- #2 Phillips Screwdriver



Slatwall/SlatRail

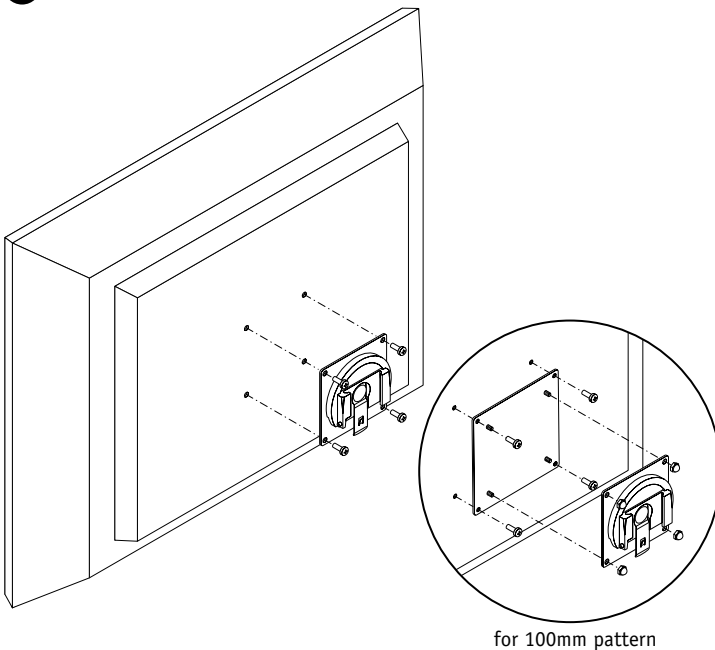
on architectural wall and freestanding stanchions



Tools Required:

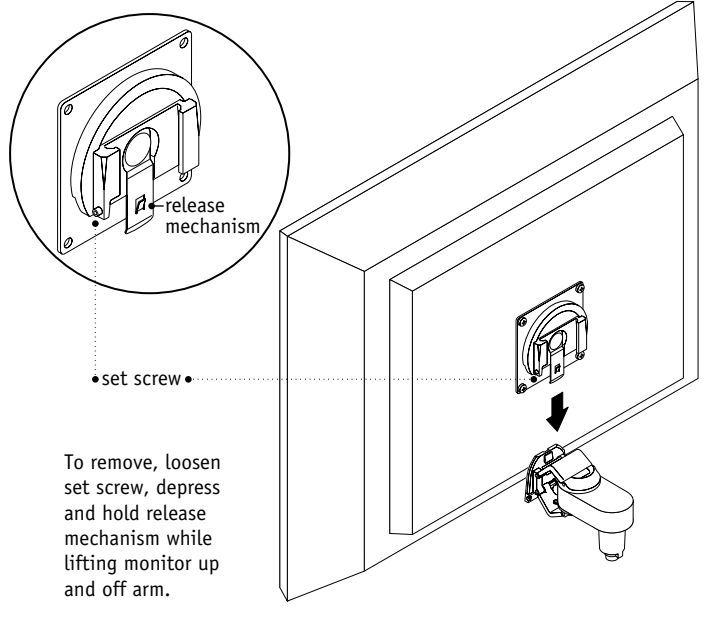
- 5/32" Allen Wrench
- 1/16" Allen Wrench
- 3/16" Allen Wrench
- 5/16" Wrench
- #2 Phillips Screwdriver

1 Attach 75mm or 100mm VESA Bracket to backside of monitor.



for 100mm pattern

2 Slide monitor mount assembly onto end of arm until audible "click" is heard. Tighten set screw to prevent removal of monitor.



To remove, loosen set screw, depress and hold release mechanism while lifting monitor up and off arm.

Note: Located in Monitor Arm Hardware Pack.



For a better day at work.™

details®

A STEELCASE COMPANY

www.details-worktools.com
Details Customer Alliance 800.833.0411
All rights reserved. Printed in U.S.A. 12/05