

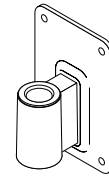


Installation Instructions

FYI Monitor Arm Brackets

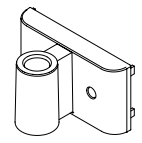
004003D Rev A

Page 1 of 2



Wall Mount Bracket

FPAWALL



Slatwall/SlatRail Bracket

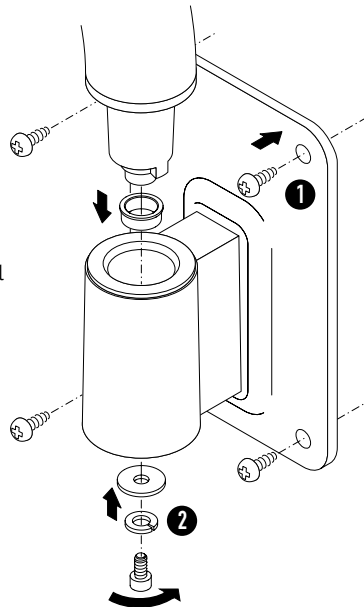
FPASWR

Wall Mount

Attach assembly to wall with (4) fasteners (not included) appropriate to the construction of the wall.

Use #10 wood screws when attaching to a wood stud.

Use #10 toggle bolts when attaching directly to drywall or steel studs.

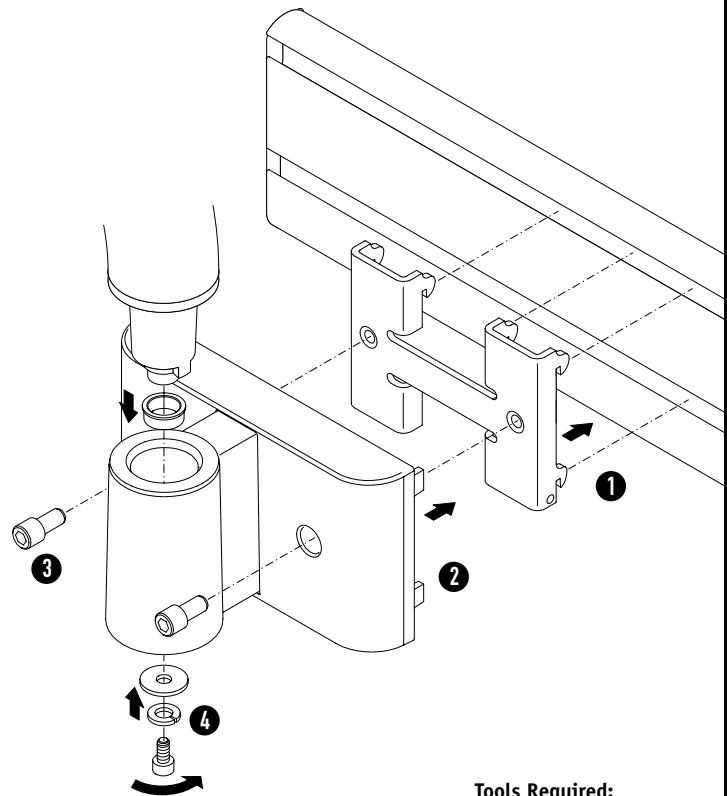


Tools Required:

- 5/32" Allen Wrench
- 1/16" Allen Wrench
- 5/16" Wrench
- #2 Phillips Screwdriver

Slatwall/SlatRail

on architectural wall and freestanding stanchions



Tools Required:

- 5/32" Allen Wrench
- 1/16" Allen Wrench
- 3/16" Allen Wrench
- 5/16" Wrench
- #2 Phillips Screwdriver

Note: Located in Monitor Arm Hardware Pack.



For a better day at work.™

details®

A STEELCASE COMPANY

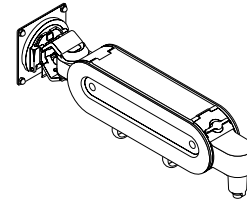
www.details-worktools.com
Details Customer Alliance 800.833.0411
All rights reserved. Printed in U.S.A. 12/05



Installation Instructions

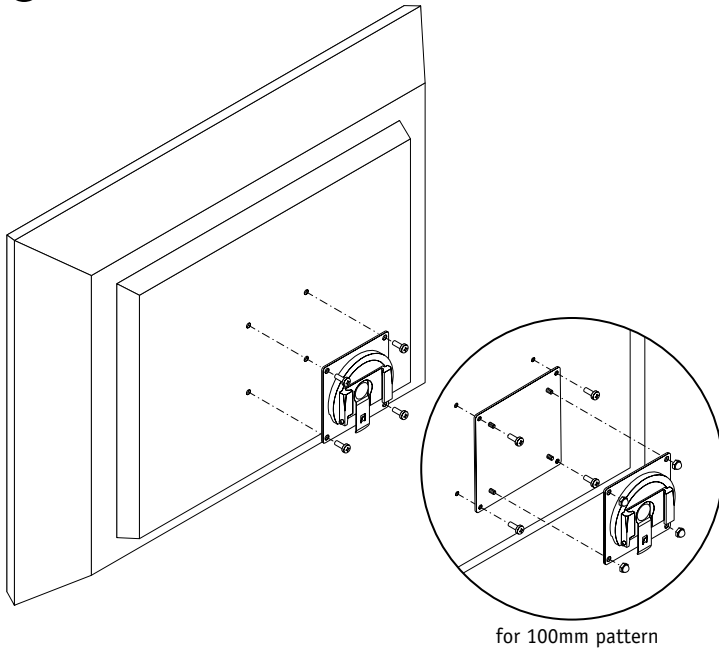
004003D Rev A

Page 2 of 2



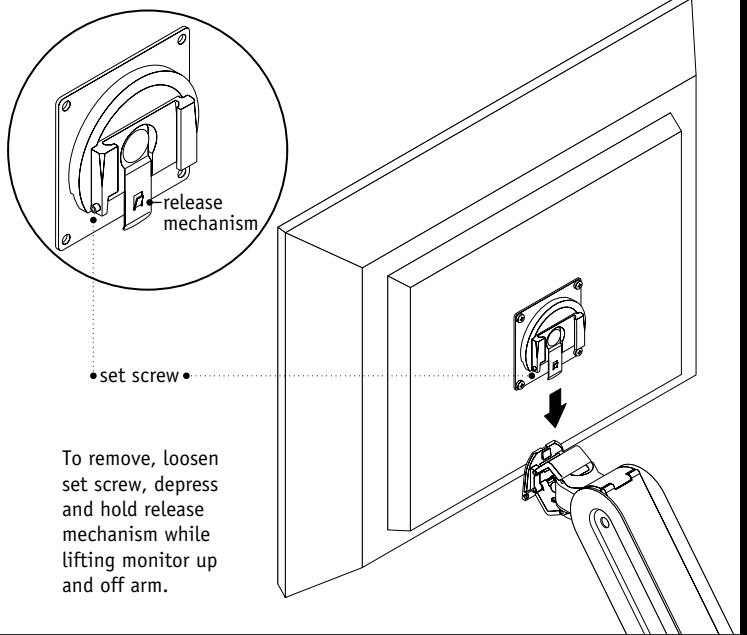
FYI Upper Arm with Tilt/Pan Bracket
FPAUPPER

- 1** Attach 75mm or 100mm VESA Bracket to backside of monitor.



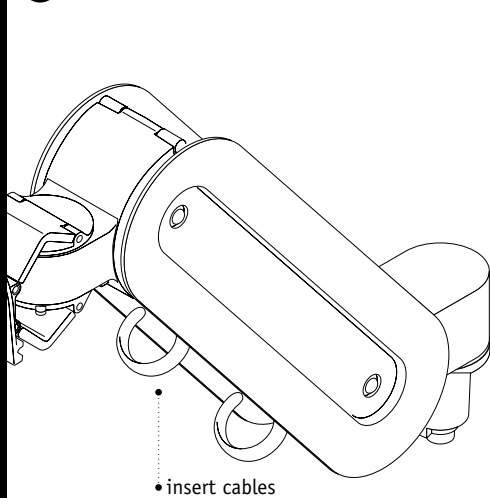
for 100mm pattern

- 2** Slide monitor mount assembly onto end of arm until audible “click” is heard. Tighten set screw to prevent removal of monitor.



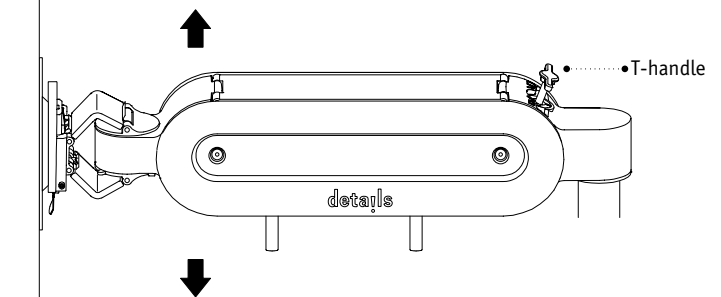
To remove, loosen set screw, depress and hold release mechanism while lifting monitor up and off arm.

- 3** Insert cables through two loops under the arm.



- 4** Adjust T-handle to accommodate weight of monitor. The monitor should “float” (neither rise nor fall when the counterbalance is properly adjusted).

- If monitor **sinks** when installed, pull up the T-handle and turn **clockwise** until monitor “floats”.
- If monitor **rises** when installed, pull up the T-handle and turn **counter-clockwise** until monitor “floats”.



The upper arm should be nearly horizontal, to allow the T-handle to turn freely.

If resistance is encountered, raise or lower upper arm, until the T-handle begins to turn easily.

For a better day at work.™

details®

A STEELCASE COMPANY

www.details-worktools.com
Details Customer Alliance 800.833.0411
All rights reserved. Printed in U.S.A. 12/05