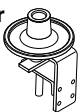




FYI Single Monitor Arm with Frame One Bracket
FPASINGLEFO



Desk Clamp/Grommet Bracket (Service Part)
FPASPC



Slatwall/SlatRail Bracket
FPASWR



Through Mount Bracket (Service Part)
FPATM



FYI Single Flat Panel Monitor Arm with c:scape Bracket
DFPASINGLECS



Wall Mount Bracket
FPAWALL



FYI-2 Dual Flat Panel Monitor Arm with c:scape Bracket
DFPADUALCS

FYI® Single & FYI®-2 Dual Flat Panel Monitor Arm

Installation Instructions

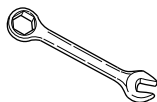
003876D Rev J

Page 1 of 4

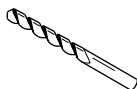
Tools Required:



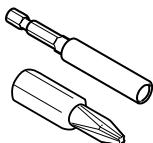
1/16", 5/32", 3/16" & 1/4" Allen Wrench



5/16 & 1/2" Wrench



11/32" Drill Bit

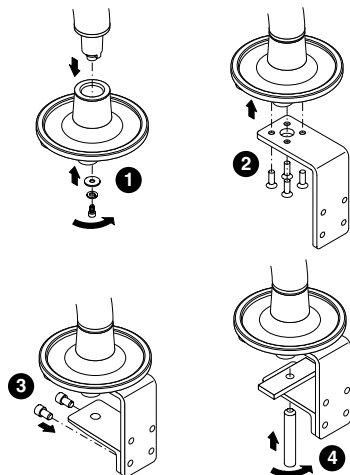


#2 Phillips Screwdriver

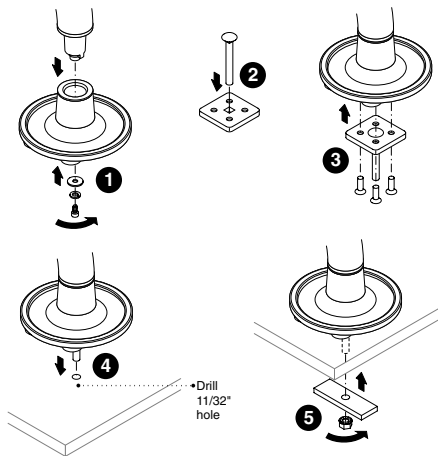


Power Drill

Desk Clamp / Grommet (Service Part)



Through Mount (Service Part)



Wall Mount

Attach assembly to wall with (4) fasteners (not included) appropriate to the construction of the wall.

Use #10 wood screws when attaching to a stud.

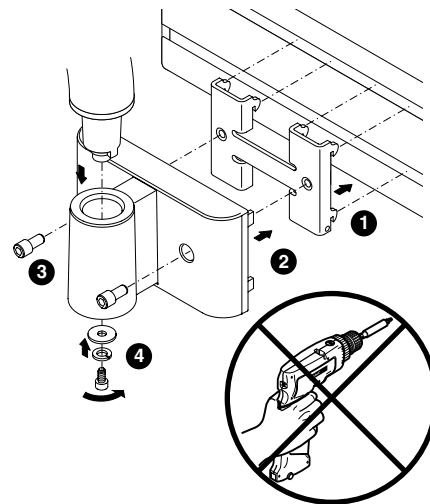
Use #10 toggle bolts when attaching directly to drywall.

Note: Located in Monitor Arm Hardware Pack.



Slatwall/SlatRail

on architectural wall and freestanding stanchions



For a better day at work.™

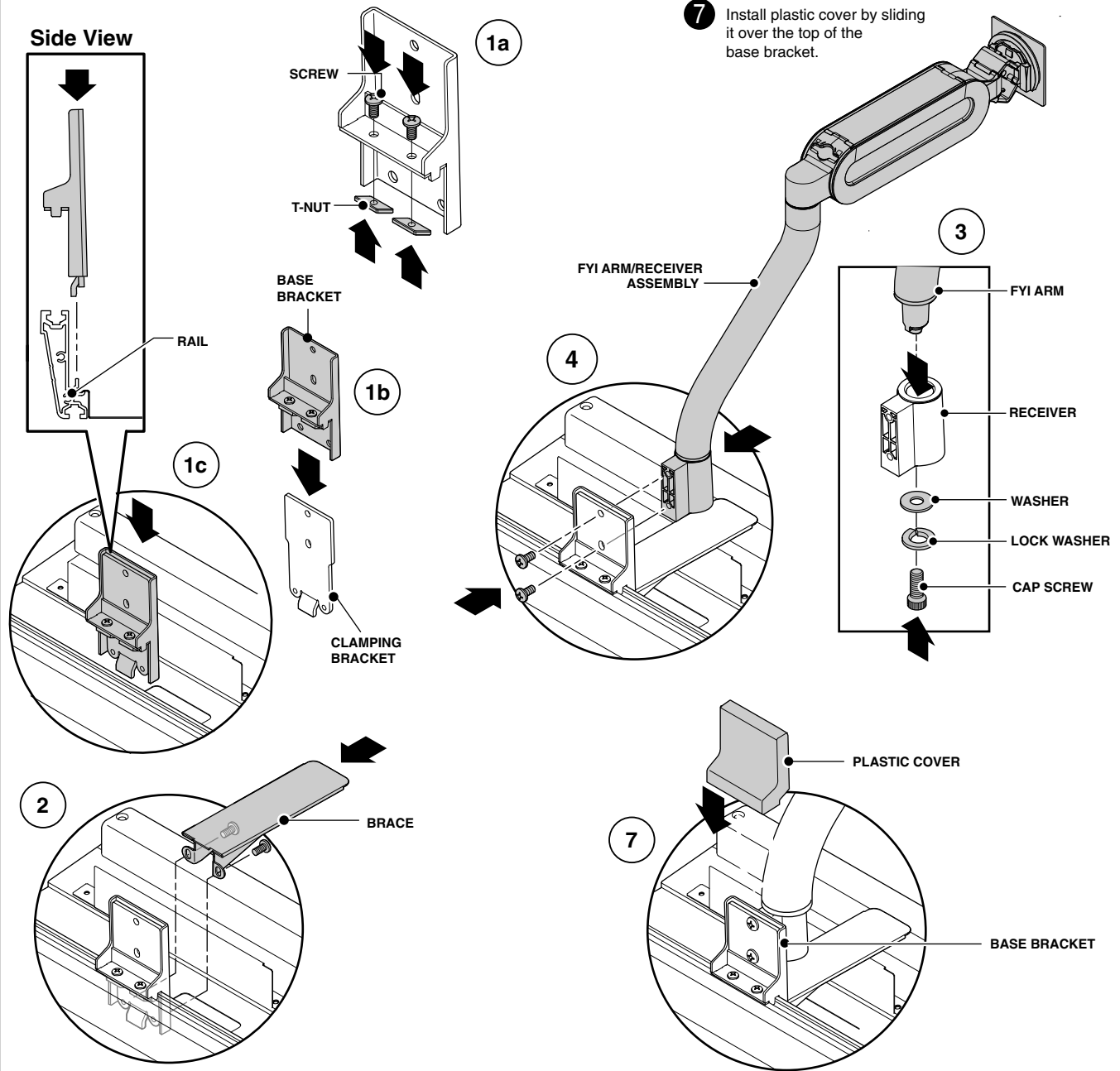
details®

A STEELCASE COMPANY

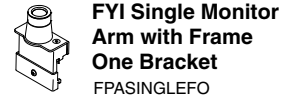
FYI® Single & FYI®-2 Dual Flat Panel Monitor Arm Installation Instructions

- 1** Mount screws and t-nuts in the correct orientation as shown (1a). Slide clamping bracket into bottom of base bracket (note tab direction, per side view) (1b) and lower onto rail at rear of c:scape desk (1c). Align two (2) t-nuts with rail slot to aid installation. Do not tighten screws yet.
- 2** Guide brace into place, beneath worksurface. Install two (2) screws but do not tighten yet.
- 3** Attach FYI arm to receiver with screw/washers (included with FYI arm).

- 4** Attach FYI arm/receiver assembly to base bracket with included hardware (qty 2).
- 5** Tighten screws from step 1
- 6** Tighten screws from step 3
- 7** Install plastic cover by sliding it over the top of the base bracket.

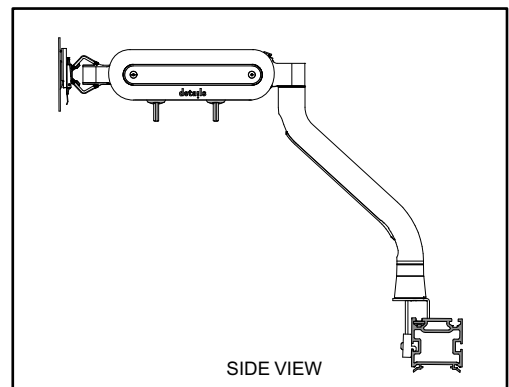
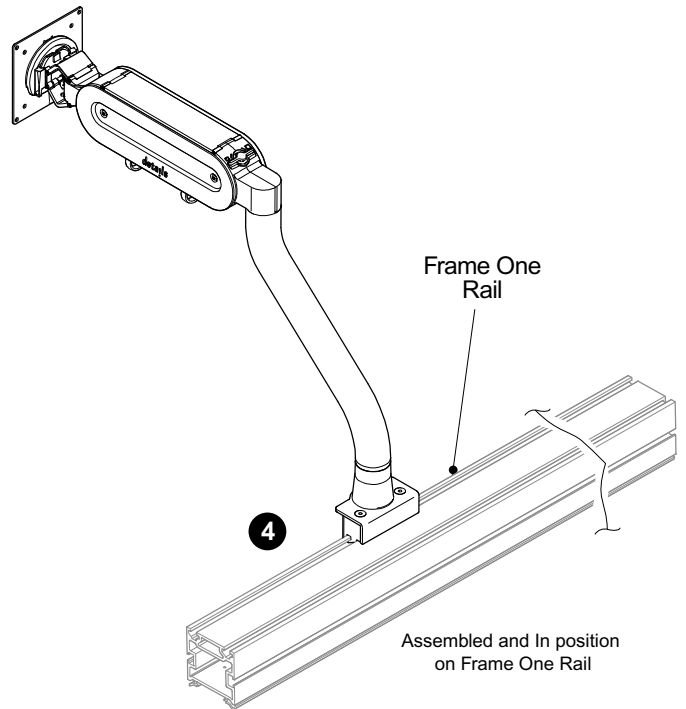
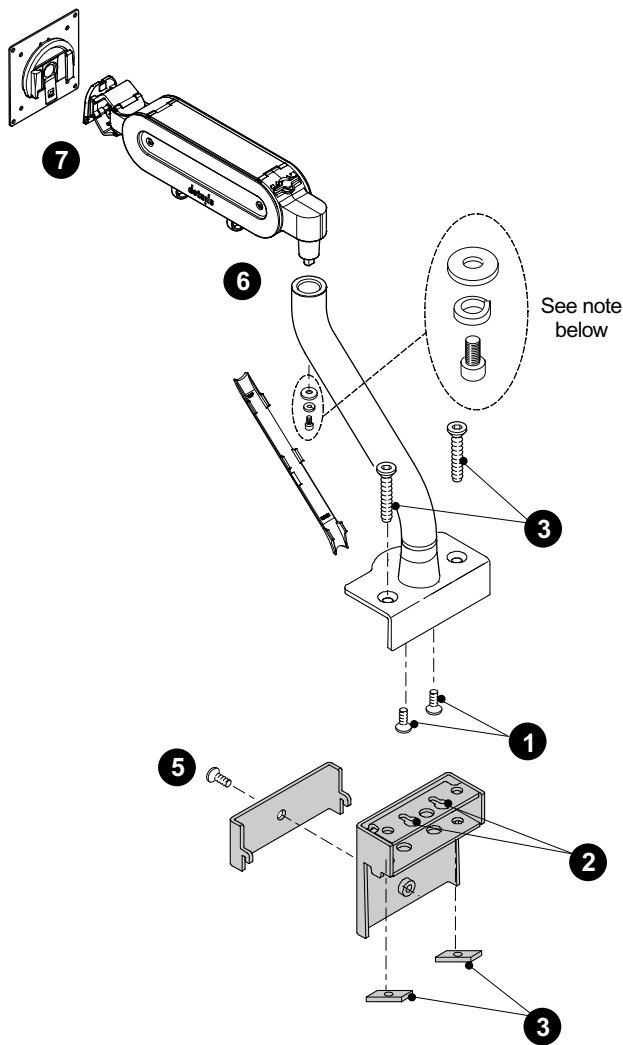


FYI® Single & FYI®-2 Dual Flat Panel Monitor Arm Installation Instructions



003876D Rev J Page 3 of 4

- 1** Insert screws into bottom of monitor arm. Allow two (2) fasteners to protrude approx. 1/4". These will be fully tightened after Step 2.
- 2** Slip bracket over screw heads (from Step 1) using the keyhole slots. Slide brackets together and tighten two (2) screws.
- 3** Guide two (2) flat head screws through bracket and partially thread T-nuts onto screws. Note proper orientation of T-nuts.
- 4** Place arm/bracket assembly onto desk rail. Tighten two (2) flat head screws and T-nuts from Step 3.
- 5** Install locking plate onto face of assembled bracket. Install and tighten final screw.
- 6** Install upper arm as shown.
- 7** Install VESA monitor plate as shown.



Note: Located in Monitor Arm Hardware Pack.





FYI Single Monitor Arm with Frame One Bracket
FPASINGLEFO



Desk Clamp / Grommet Bracket (Service Part)
FPASPC



Slatwall/SlatRail Bracket
FPASWR



Through Mount Bracket (Service Part)
FPATM



FYI Single Flat Panel Monitor Arm with c:scape Bracket
DFPASINGLECS



Wall Mount Bracket
FPAWALL



FYI-2 Dual Flat Panel Monitor Arm with c:scape Bracket
DFPADUALCS

FYI® Single & FYI®-2 Dual Flat Panel Monitor Arm Installation Instructions

003876D Rev J Page 4 of 4

- 7** Attach VESA Bracket to backside of monitor.
- 8** Slide monitor mount assembly onto end of arm until audible "click" is heard. Tighten set screw to prevent removal of monitor.

- 9** Gently pry off cable cover on the bottom of the arm. Insert cables into arm cavity and through two loops under the arm. Press cover back into place.
- 10** Adjust T-handle to accommodate weight of monitor. The monitor should "float" (neither rise nor fall) when the counterbalance is properly adjusted.

