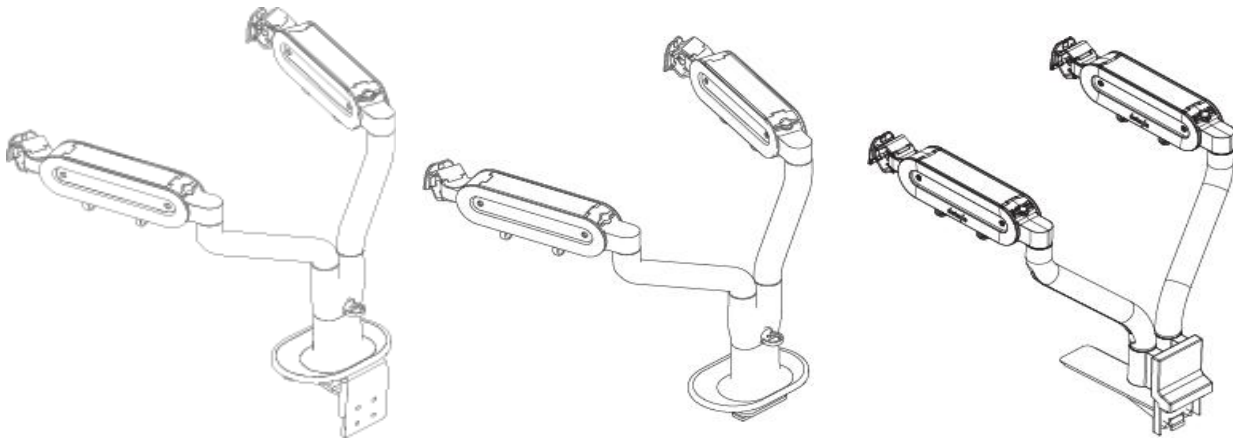


FYI-2® Dual Flat Panel Monitor Arm w/ Bracket



Style Numbers

FYI Dual Flat Panel Arm with C-clamp	FPADUAL
FYI Dual Flat Panel Arm with Through Mount	FPADUALTM
FYI Dual Flat Panel Arm with c:scape	DFPADUALCS

Features

Supports the use of two flat panel monitors within a single workstation
Ease of positioning each flat panel monitor across a broad range of adjustments
Allows effortless adjustment of height range and viewing angle changes
Allows monitors to be positioned at the correct viewing distance to relieve eyestrain
Frees valuable worksurface space that was previously unusable
Allows for the design of a smaller worksurface footprint
Quick-connect™ capability for easy connection (or disconnection) of a monitor)
Additional screw included to provide monitor security
An anti-dislodgment feature is included
Rotation allows for landscape or portrait viewing of monitors.

Dimensions/Weight

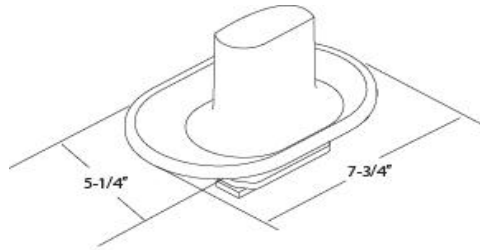
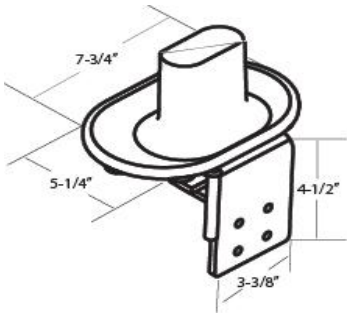
FPADUAL	W24" x 15"H x D5½"	28 lbs.
FPADUALTM	W24" x 15"H x D5½"	28 lbs.
DFPADUALCS	W24" x 15"H x D9"	20 lbs.

Technical Specifications

Supports monitors weighing:	5-20 lbs
Rotation:	Landscape or Portrait 360°
Focal adjustability range:	4" - 24" (19" monitors)
Vertical adjustment range:	11½"
Tilt:	30° to -20°
Pan:	160°
Lower Arm Rotation:	100°
Upper Arm Rotation:	360°
VESA plate	75mm and 100mm included

Grommet Mount size required	4" x ¼"
Cable management	Included with the arm
Application:	Straight and corner applications Not applicable on glass surfaces Not intended for touch screens
Construction:	Zinc die cast
Color:	Arctic White, Black and Platinum
Warranty	12 years

FYI-2® Dual Flat Panel Arm with Bracket



- ① 100° lower arm rotation
- ② 360° upper arm rotation
- ③ Gas cylinder supports 5-20 lbs. monitors
- ④ 160° panning range
- ⑤ 4.5" minimum - 24" maximum focal adjustability range
- ⑥ 20° backward tilt
- ⑦ 30° forward tilt
- ⑧ 11.5" vertical adjustment range meets the ergonomic adjustment needs range of 5% - 95% of the population



Certifications

None

Sustainability

1.5% Recycled Content, 1.2% Post Consumer, .3% Pre Consumer, 96% Recyclable

For further information, please go to the Details website, details-worktools.com
or call 800.833.0411

2011 Steelcase Inc. All rights reserved. 5/11