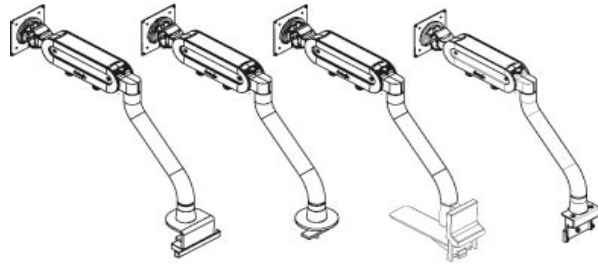


FYI Single Flat Panel Arm with Bracket



Style Numbers

FYI Single Flat Panel Arm with C-clamp	FPASINGLECC
FYI Single Flat Panel Arm with Through Mount	FPASINGLETM
FYI Single Flat Panel Arm with c:scape	FPASINGLECS
FYI Single Flat Panel Arm with FrameOne	FPASINGLEFO

Features

Ease of positioning of a flat panel monitor across a broad range of adjustment
Allows effortless adjustment of height range and viewing angle changes.
Allows monitor to be positioned at the correct viewing distance to relieve eyestrain.
Frees valuable worksurface space that was previously unusable.
Quick-Connect™ capability for easy connection (or disconnection) of a monitor.
Additional screw included to provide monitor security.

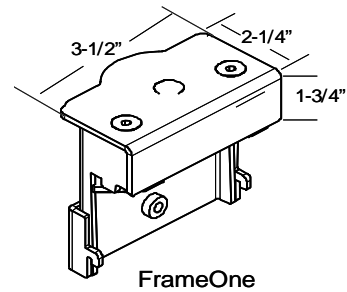
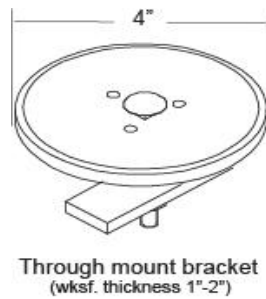
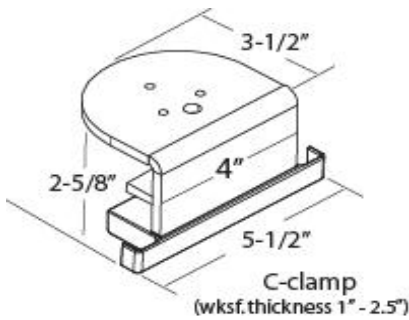
Dimensions/Weight

FPASINGLECC	W14" x 15"H x D4"	13.5 lbs.
FPASINGLETM	W14" x 15"H x D4"	12.5 lbs.
FPASINGLECS	W14" x 15"H x D9"	15 lbs.
FPASINGLEFO	W14" x 15"H x D4"	12 lbs.

Technical Specifications

Supports monitors weighing:	5-20 lbs
Rotation:	Landscape or Portrait 360°
Focal adjustability range:	24"
Vertical adjustment range:	11½"
Tilt:	20° Backward Tilt and 30° Forward Tilt
Pan:	160°
Lower Arm Rotation:	200°
Upper Arm Rotation:	360°
VESA plate	75mm and 100mm included
Grommet Mount size required	4" x ¼"
Cable management	included with the arm
Application:	Straight and corner applications Not applicable on glass surfaces Not intended for touch screens
Construction:	Zinc die cast
Color:	Arctic White, Black and Platinum
Warranty	12 years

FYI® Single Flat Panel Arm with Bracket



Certifications

None

Sustainability

2% Recycled Content, 1.7% Post Consumer, .4% Pre Consumer, 96% Recyclable

For further information, please go to the Details website, details-worktools.com
or call 800.833.0411

2011 Steelcase Inc. All rights reserved. 5/11