

FYI Tilt/Pan Bracket

Customer Needs:

To support flat panel monitors in a workstation environment. Particularly important to users in workstation environments which offer limited space.

User Requirements:

- Allows effortless viewing angle changes
- Frees valuable worksurface space that was previously unusable
- Allows for the design of a smaller worksurface footprint as well as the possible elimination of deep corners, yielding more usable square footage

Product Features

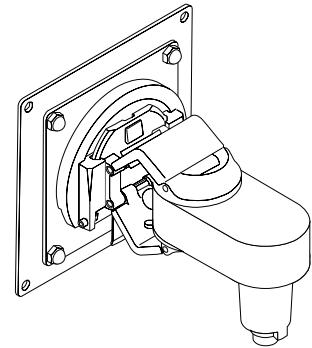
Style Numbers:

FPATILTPAN – FYI Tilt/Pan Bracket

Use with FYI mounting brackets:

- FPASWR – FYI Slatwall/Slatrail Mount
- FPAWALL– FYI Wall Mount

- Size: W4½" x H4½" x D5"
- Weight: 2.0 lbs.
- Color: Bright Metal
- Construction: Zinc Diecast
- Warranty: 10 years on arm and mounting methods
- Focal adjustability range of 2".
- LCD monitor sits approximately 4" to 6" from the Slatwall/SlatRail or Wall.
- Supports monitors weighing up to 20 lbs.
- Tilt and pan capability
- Quick-Connect™ capability for easy connection (or disconnection) of a monitor.
- Additional set screw included to provide monitor security.
- Rotation allows for landscape or portrait viewing of monitors.
- Ships standard with both the 75mm and 100mm VESA compliant mounting plates.



For further information, please go to the Details website details-worktools.com
or call 800.833.0411

P.O. Box 1967 / CD-5E Grand Rapids, MI 49501-1967
©2010 Steelcase Inc. All rights reserved. 8/10