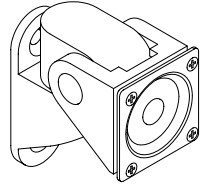




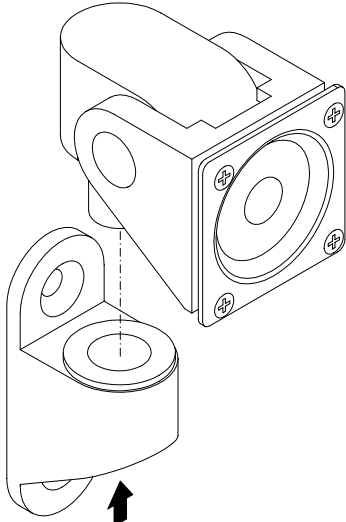
# Installation Instructions

002870D Rev B

Wall Mount,  
Flat Panel  
Monitor Support  
CFWM

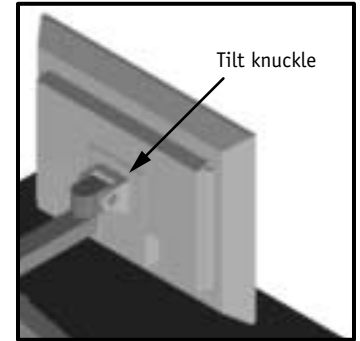
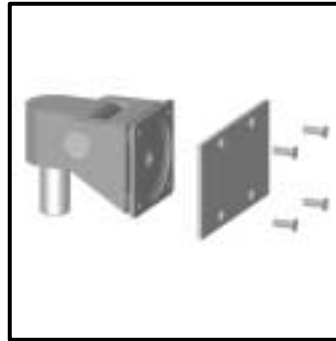


- 1 Remove the screw/washer from the bottom of the bracket. Slide the tilt knuckle out of the bracket.



screw/washer located at bottom of bracket

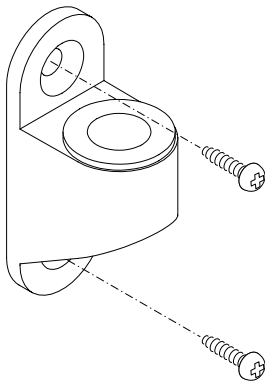
- 2 Attach the tilt knuckle to your LCD monitor.



You will need to back the screws out of the tilt knuckle and place either the 75mm or 100mm mounting plate over the tilt knuckle so it lines up with the screw holes. Using the screws you just removed, secure it in place.

Attach the mounting plate to the back of the LCD monitor using the screws provided in the hardware pack. Set aside.

- 3 Secure the Wall Mount Bracket to the wall with (2) fasteners (not included) appropriate to the constructions of the wall.

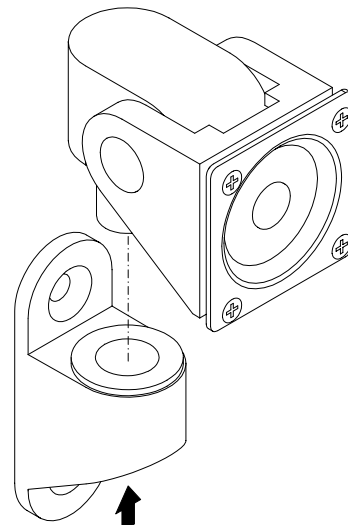


**Note:**

- Use #14 wood screws when attaching to a stud.
- Use 1/4" toggle bolts when attaching directly to drywall.

- 4 Slip the tilt knuckle into the column. Re-install and tighten the screw/washer.

**Note:** The LCD monitor will already be attached to the knuckle in this step.



Re-install screw/washer

For a better day at work.™

**details**®

A STEELCASE COMPANY

www.details-worktools.com  
Details Customer Alliance 800.833.0411  
All rights reserved. Printed in U.S.A. 11/05