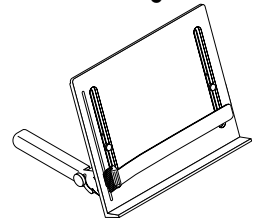




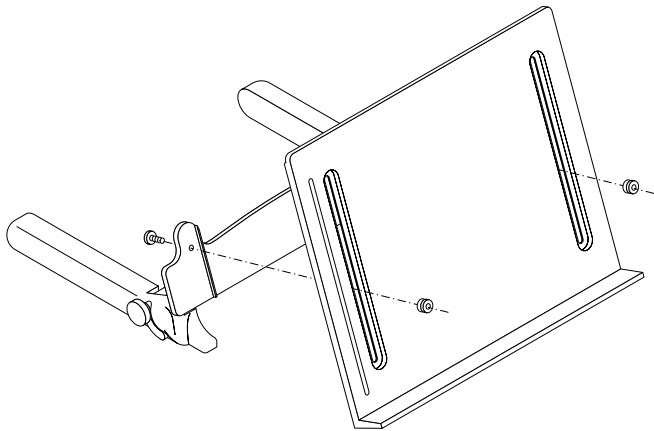
Installation Instructions

In-Line Document Support – Freestanding

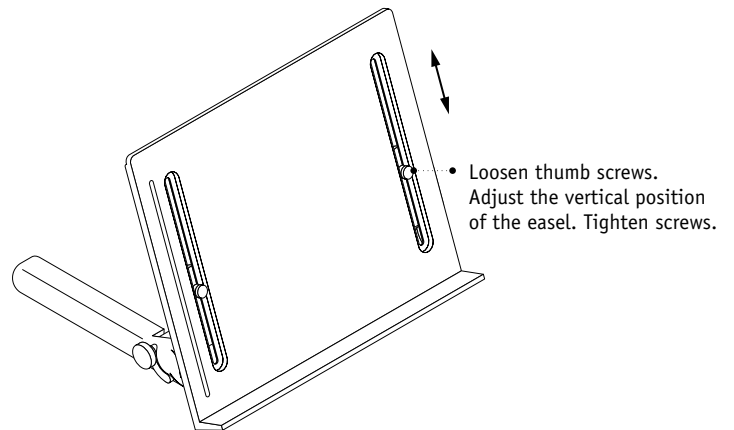
CDFIS14



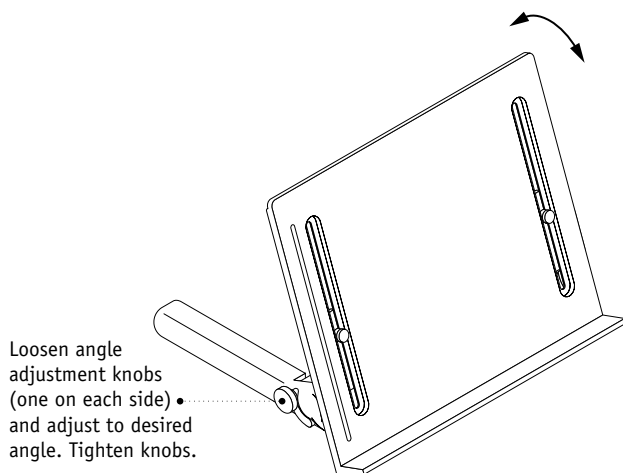
- 1** Remove thumb screws from base. Attach easel to base.



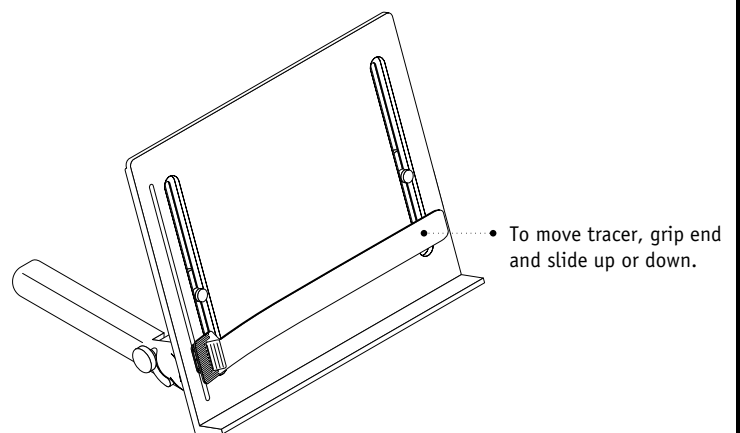
- 2** **Vertical Adjustment** – To lower or raise easel.



- 4** **Angle Adjustment**



- 4** Place slot of tracer over the line guide slide. As you press down, you will hear a "notching" sound. This allows you to maintain a straight line for different depths of documents.



For a better day at work.™

details®

A STEELCASE COMPANY

www.details-worktools.com
P.O. Box 1967 Grand Rapids, MI 49501-1967
All rights reserved. Printed in U.S.A. 1/05