

Horizontal Clamp Assemblies

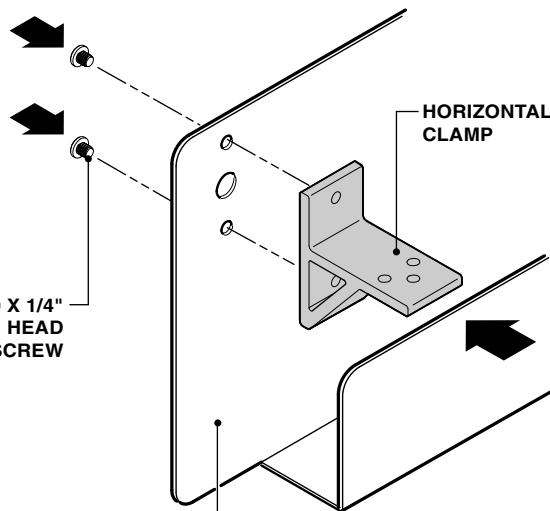
Installation Instructions 005555D Rev C

ACXX ACMX
AMXX AMPXX
APXX ACMPXX

- 1 Install two (2) horizontal clamps to cableway using two (2) 1/4-20 x 1/4" button head screws.

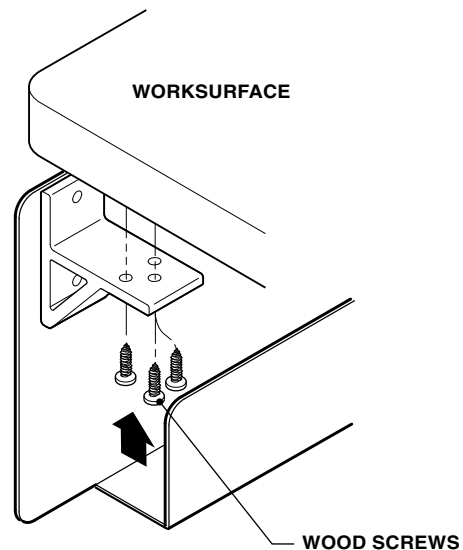
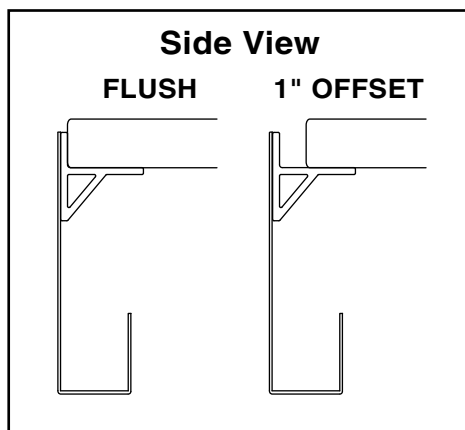
NOTE: AHORZ55 and AHORZ61 require three (3) horizontal clamps.

1/4-20 X 1/4"
BUTTON HEAD
SCREW



- 2 Install cableway to underside of desk using wood screws provided.

User can choose to offset cableway 1" from rear of worksurface to allow cables to be run over edge of desk if adequate space exists behind worksurface.



For further information, please go to the Details website details-worktools.com or call 800.833.0411

P.O. Box 1967 / CD-5E Grand Rapids, MI 49501-1967

©2010 Steelcase Inc. All rights reserved. 12/10