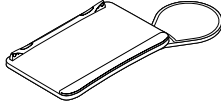


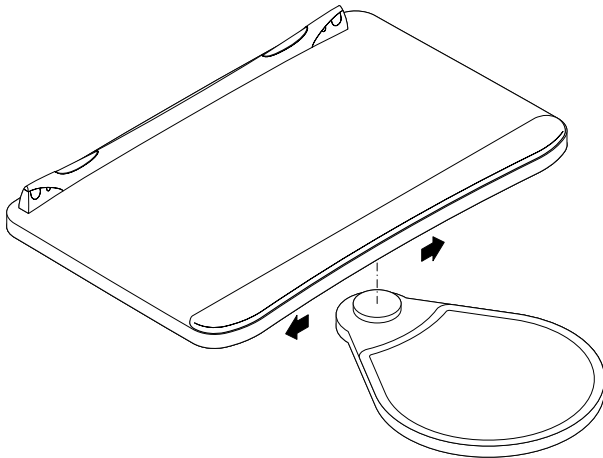
Jules Platform

Installation Instructions 003365D Rev C

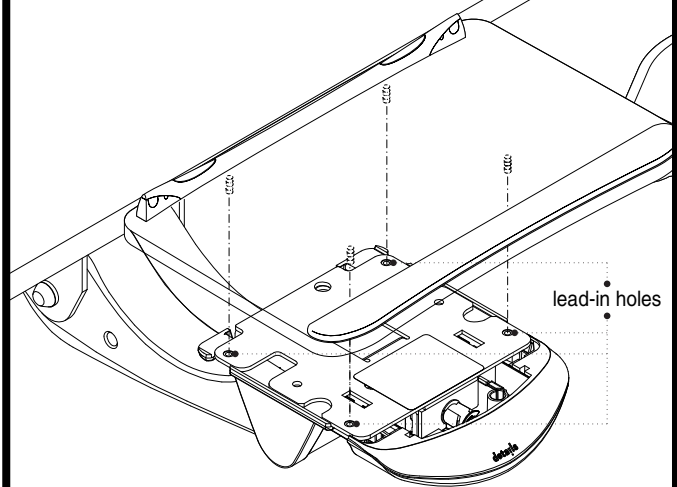
JP1000
JP10SF



- 1 Attach mousing surface to underside of Jules Platform at center. Slide all the way to the left or right. You will hear a “click” when properly engaged.

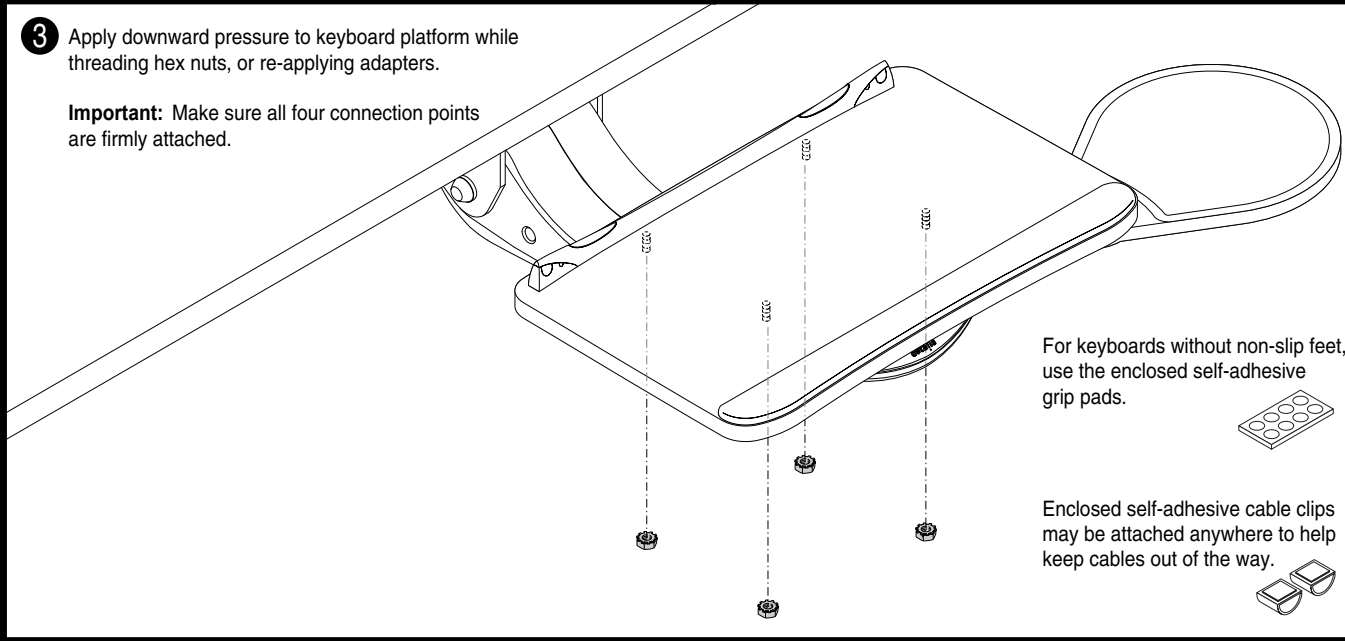


- 2 Remove quick connect adapters (if provided) on underside of platform. Position the threaded studs in the lead-in holes located on the mechanism.

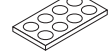


- 3 Apply downward pressure to keyboard platform while threading hex nuts, or re-applying adapters.

Important: Make sure all four connection points are firmly attached.



For keyboards without non-slip feet, use the enclosed self-adhesive grip pads.



Enclosed self-adhesive cable clips may be attached anywhere to help keep cables out of the way.



For further information, please go to the Details website details-worktools.com or call 800.833.0411

P.O. Box 1967 / CD-5E Grand Rapids, MI 49501-1967

©2010 Steelcase Inc. All rights reserved. 11/10