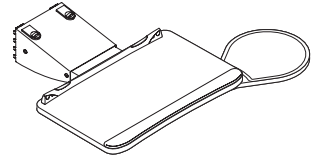




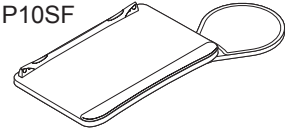
002108D Rev C

Installation Instructions

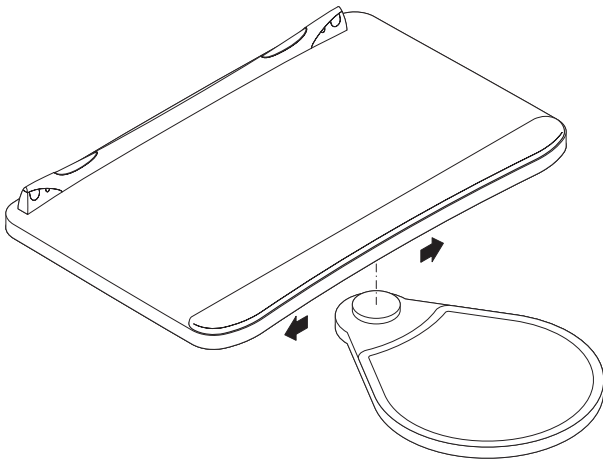
Slatwall Mounted Jules
KJULES



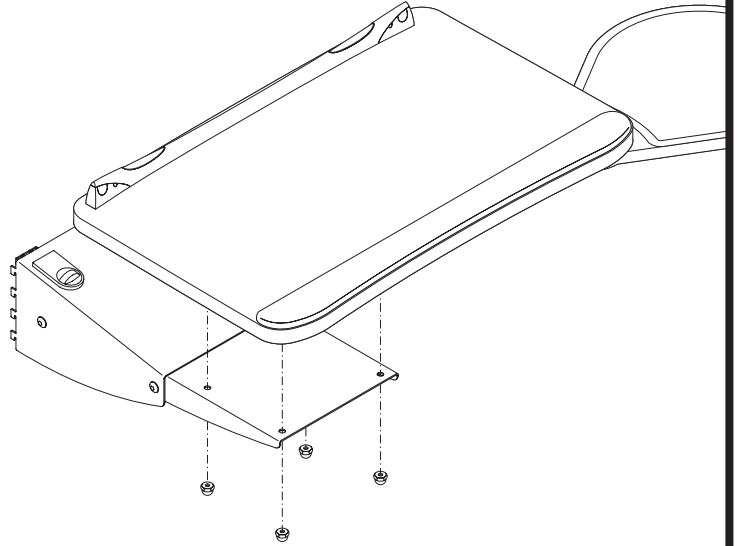
Jules Platform
JP10SF



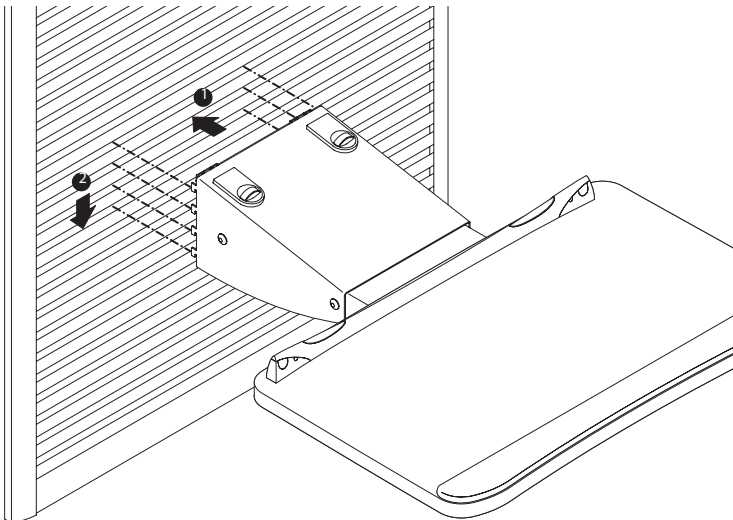
- 1 Attach mousing surface to underside of Jules Platform at center. Slide all the way to the left or right. You will hear a "click" when properly engaged.



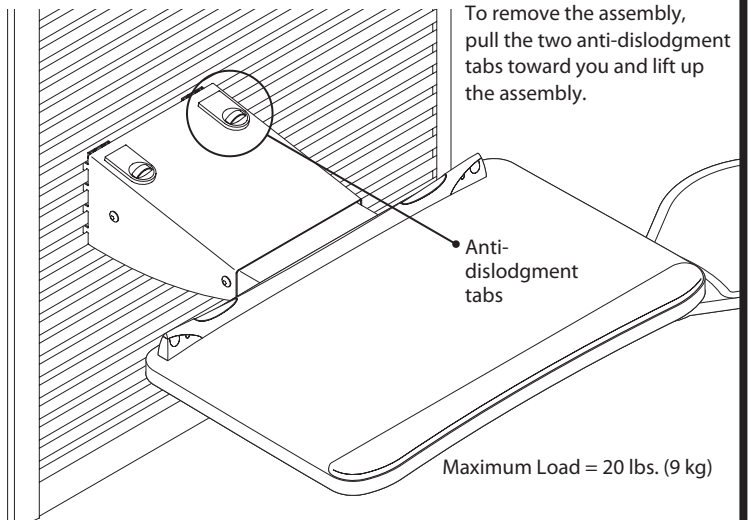
- 2 Attach platform to mechanism as shown with the four nuts provided. Be careful not to over tighten.



- 3 Select a spot on the Slatwall to position the Jules assembly. Height will depend on the height of the user.



- 4 Attach the Jules assembly to Slatwall. Make sure that the Slatwall interface is fully engaged with the Slatwall. Push the two anti-dislodgment tabs into Slatwall, there will be a "click" when engaged.



For a better day at work.™

details®

A STEELCASE COMPANY

www.details-worktools.com
P.O. Box 1967 Grand Rapids, MI 49501-1967

All rights reserved. Printed in U.S.A. 9/07