



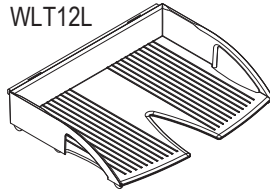
004677D Rev C

Page 1 of 1

# Installation Instructions

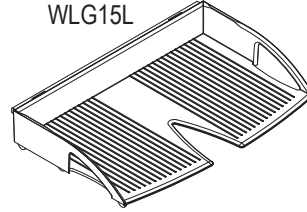
12" Letter Tray - Landscape

WLT12L



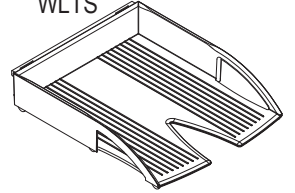
15" Legal Tray - Landscape

WLG15L



10" Letter Tray - Portrait

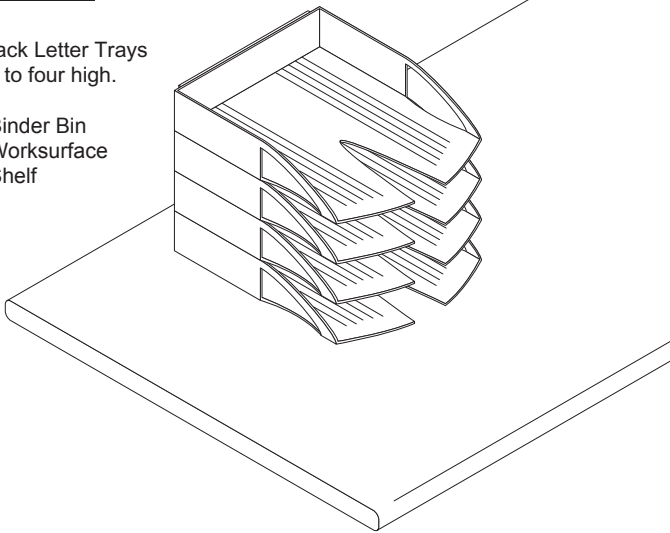
WLTS



## Freestanding

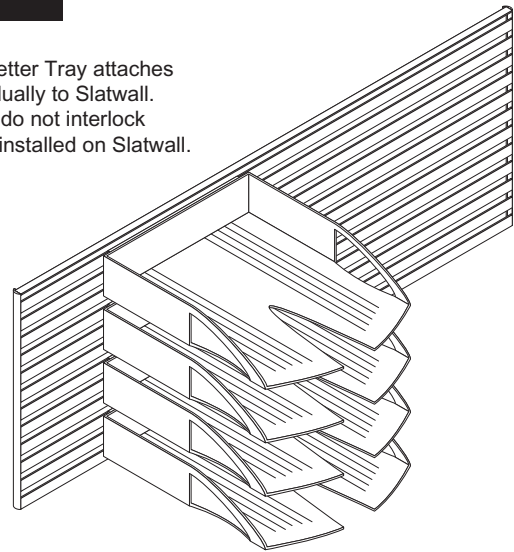
Stack Letter Trays up to four high.

- Binder Bin
- Worksurface
- Shelf

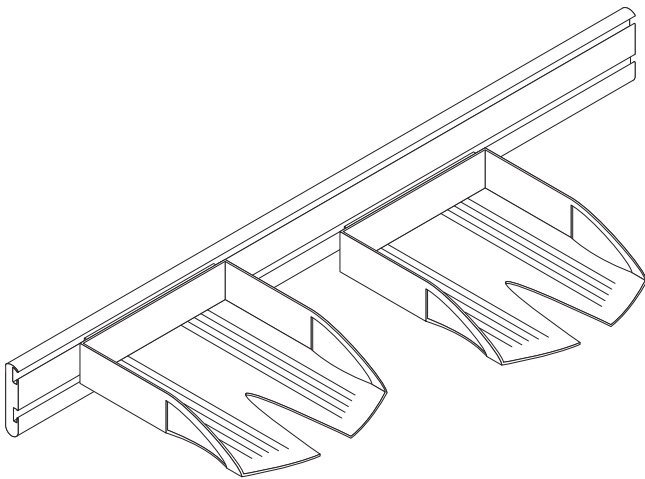


## Slatwall

The Letter Tray attaches individually to Slatwall. Trays do not interlock when installed on Slatwall.

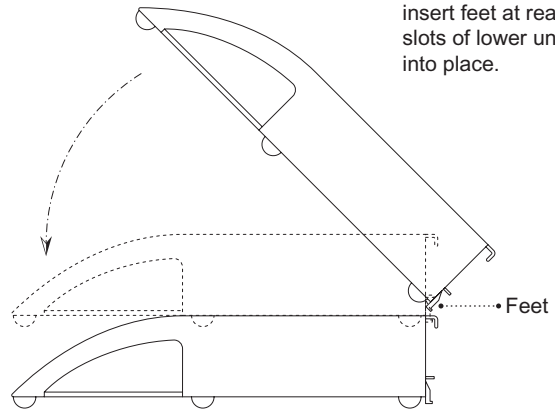


## SlatRail



## To Stack Product:

Holding product at 45° angle, insert feet at rear of tray into slots of lower unit. Guide tray into place.



For a better day at work.™

# details®

A STEELCASE COMPANY

www.details-worktools.com  
P.O. Box 1967 Grand Rapids, MI 49501-1967  
All rights reserved. Printed in U.S.A. 3/10