

Vertical Locking CPU Cradle

Customer Needs:

A support to get the CPU off the desktop while providing locking capabilities.

User Requirements:

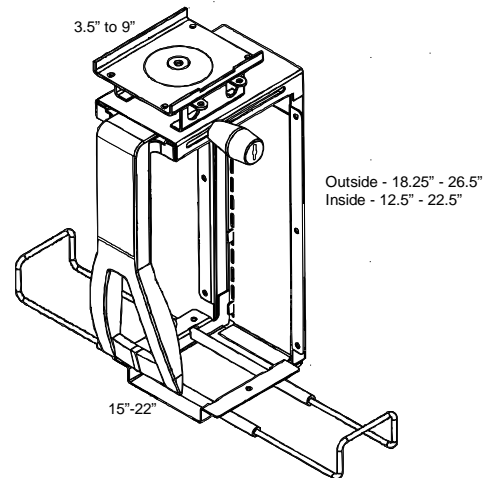
- Need access to drives, on/off switch
- Keep the CPU off the floor to avoid housekeeping incidents
- Feeling of stability
- Must provide locking capabilities

Product Features

Style Numbers:

CPRCCL – Vertical Locking CPU Cradle

- Color: Black
- Construction: Powder-coated metal
- Application: Product mounts vertically to the underside of the worksurface
- Warranty: 10 years
- Stores vertical, tower-oriented processors under the worksurface.
- Steel chassis slides and swivels into mounted track.
- Soft touch knob, with key locking system, for side clamp adjustment.
- All locks are keyed the same.
- Product adjusts to hold CPUs measuring from 3½" to 9"w, 12½" to 22½"h & 15" to 22"d
- Adjustable support bracket prevents the CPU from being pulled out
- Product supports processors with weights up to 85 lbs.
- Requires 18" deep worksurface for proper mounting.
- For use with CPUs in tower-orientation only.



For further information, please go to the Details website details-worktools.com
or call 800.833.0411

P.O. Box 1967 / CD-5E Grand Rapids, MI 49501-1967
©2010 Steelcase Inc. All rights reserved. 9/10