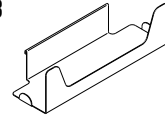




003860D Rev A

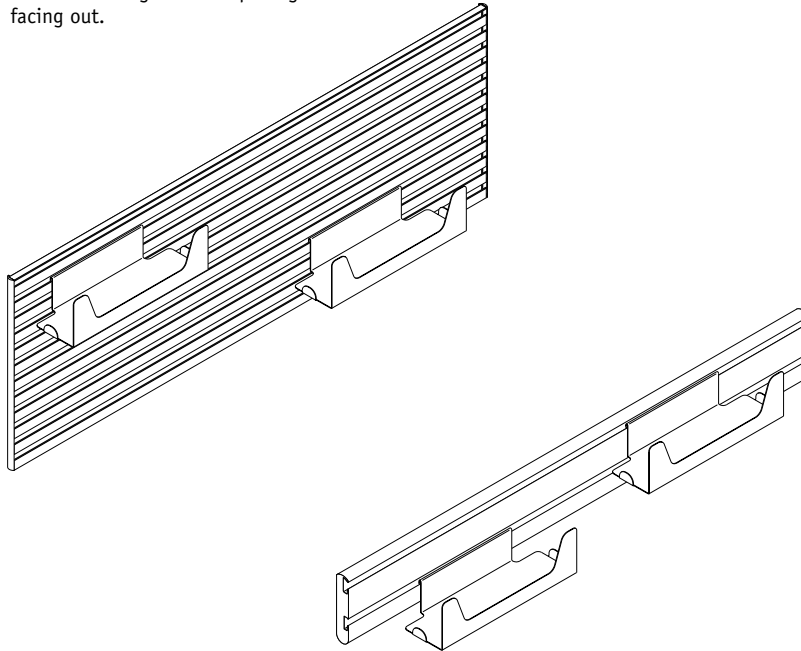
Installation Instructions

Medical Glove Box
HCGB



Select desired height and hook
into Slatwall or SlatRail.

Place standard size glove box
in holder with glove box opening
facing out.



For a better day at work.™

details®

A STEELCASE COMPANY

www.details-worktools.com
P.O. Box 1967 Grand Rapids, MI 49501-1967
All rights reserved. Printed in U.S.A. 1/05