

Dual Monitor Application Tips using FYI Single Arms

In today's market flat panel monitors are getting larger. Using 2 single monitors gives you more options in mounting placements.

Supports monitors weighing 5 – 20 lbs.

- Focal adjustability range 24"
- Vertical adjustability range: 11½"
- Tilt: 30° to -20°
- Pan: 160°
- Lower Arm Rotation: 200°
- Upper Arm Rotation: 360°
- 75mm and 100mm VESA plate
- Cable management included with the arm
- Mounts: c-clamp, through mount, c:scape and FrameOne

How to use the Application Tips:

FYI, when installed properly, is an exceptionally functional solution for shallow, deep or corner workstations. The following pages offer application tips when installing two FYI Single Arms in a dual application; shown with and without a keyboard.

Step 1. Identify worksurface shape. Is the FYI being installed on a straight or in a corner worksurface?

Step 2. Identify worksurface depth. Measure from front of worksurface to back.

Step 3. Identify the size and width of the monitor.

Step 4: Determined whether or not a keyboard will be installed

FYI mounting bracket installation was determined using the following criteria:

- The focal distance from the user to the monitor is 24". A good rule of thumb for proper ergonomic viewing.
- The center line is identified as the center of the keyboard, where the user will be positioned when using the flat panel monitor.
- A 16:9 wide screen format panel monitor was used.

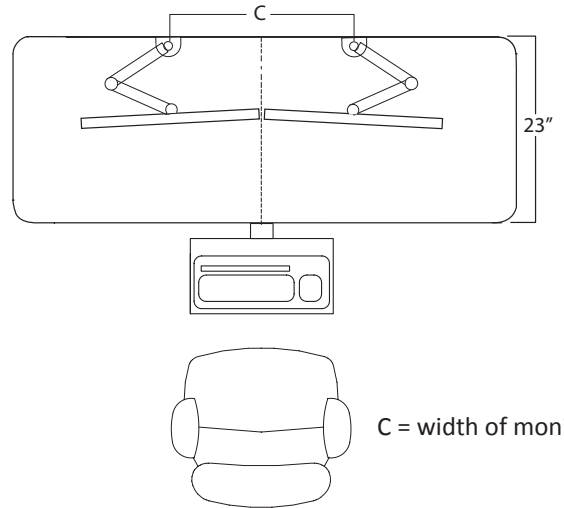
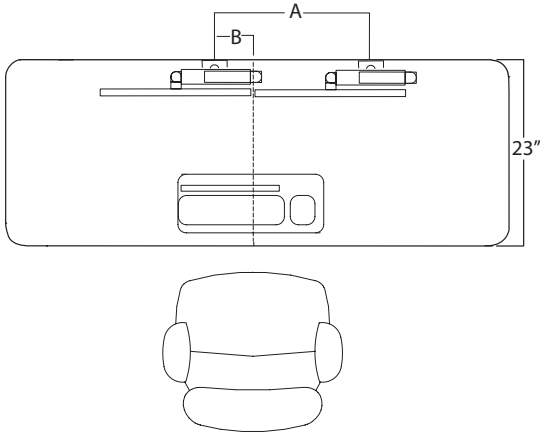
Understanding Through-Mount Application:

Through-mounting is necessary in applications where a minimum of 24" of focal adjustability is not possible, such as deep worksurfaces in straight or corner configurations. Hence through-mounting allows the user to utilize the entire adjustment range of FYI, which would otherwise be limited when mounting the desk-clamp to the back of the worksurface.

Straight Configurations

FYI Single in a Dual Application

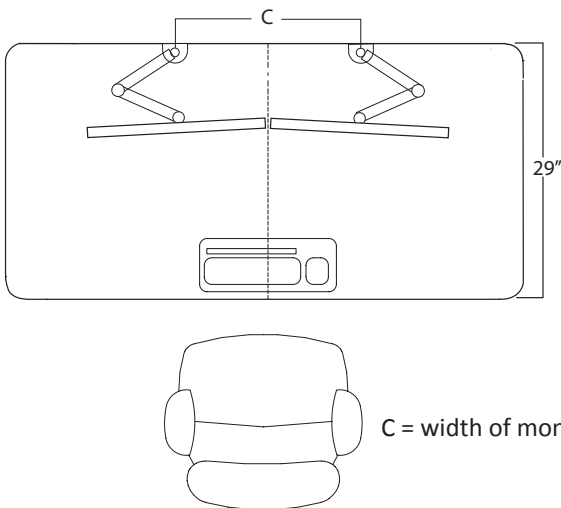
Rectangular - 23"



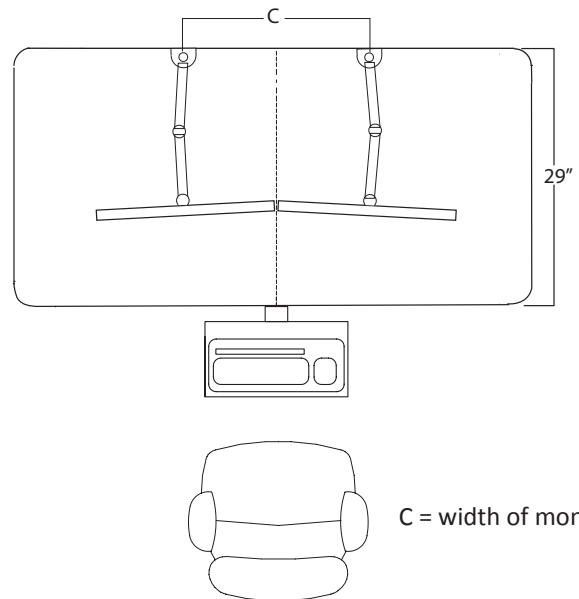
C = width of monitor

Size of monitor			
Diagonal	Width	A =	B =
19/20"	17.5"/18.5"	15"	3½"
21-22"	19.5"/20.5"	17"	4½"
23"	21.5"/22.5"	19"	5½"

Rectangular - 29"



C = width of monitor



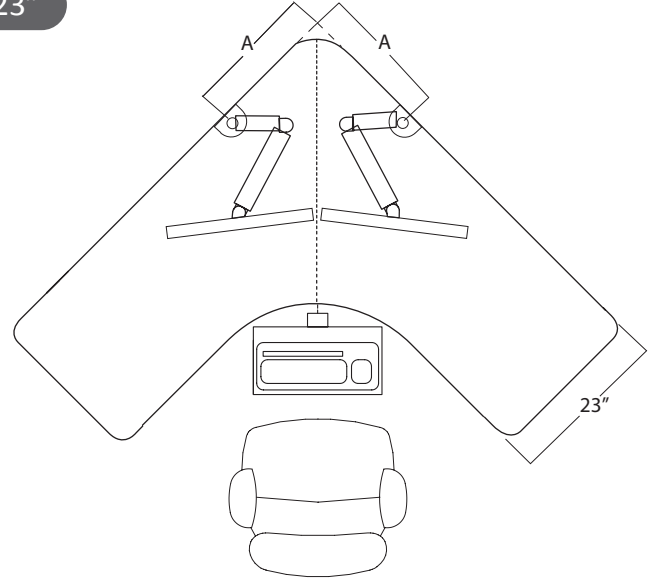
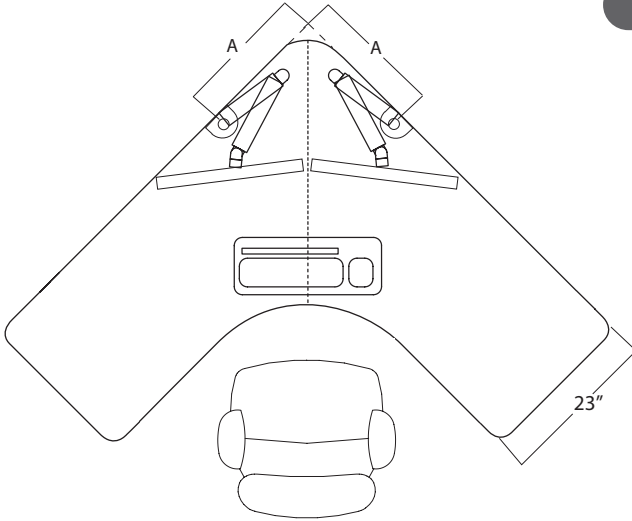
C = width of monitor

Use as reference only, dimensions may vary depending on size of monitor

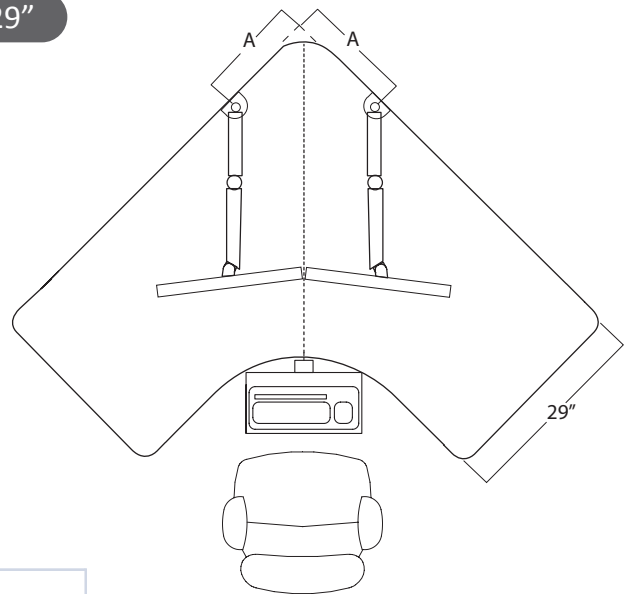
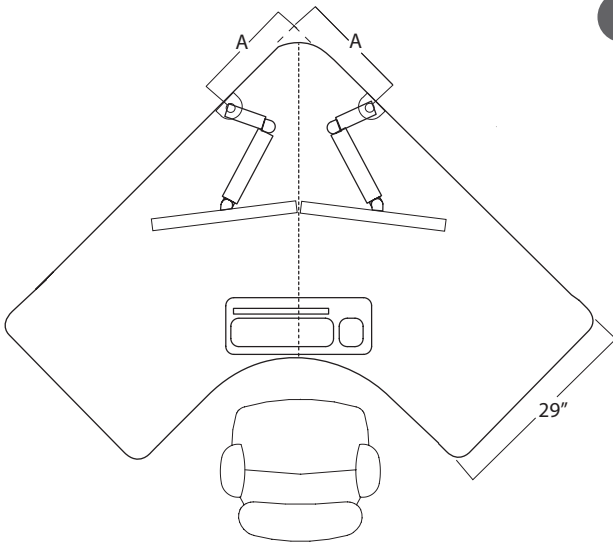
90° Corner Configurations

FYI Single in a Dual Application

90 Degree - 23"



90 Degree - 29"



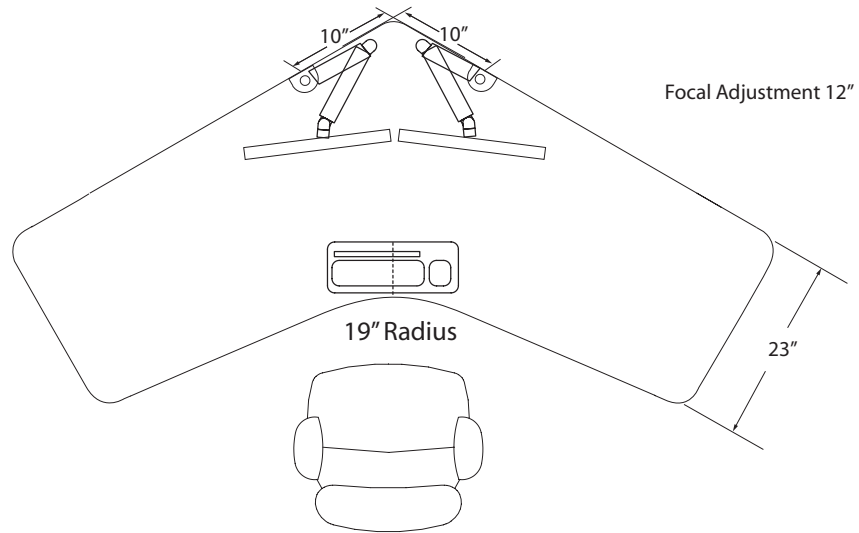
18" radius

Size of monitor		
Diagonal	Width	A =
19/20"	17.5"/18.5"	12"
21-22"	19.5"/20.5"	13"
23"	21.5"/22.5"	14"

Use as reference only, dimensions may vary depending on size of monitor

details

120° Corner Configurations for FYI Singles



Use as reference only, dimensions may vary depending on size of monitor

details