

5" & 7" Lift & Lock Keyboard Mechanisms - 23" & 26" Tracks

Customer Needs:

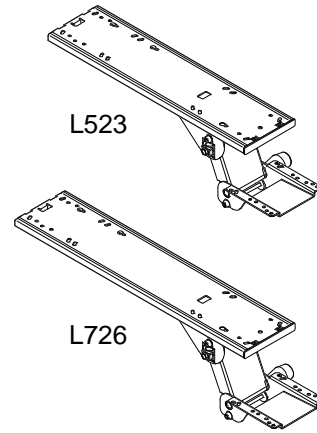
A readily adjustable keyboard support mechanism that is easy to operate, will work with a wide variety of support platforms and provide exceptional stability.

User Requirements:

- A simple-to-use keyboard support mechanism which provides superior stability.
- Must be applicable to any furniture system and a wide variety of workstation settings.

Product Features

- Style Numbers:
 - L523 – Mechanism with 5" arm extension and 23" Track
 - L726 – Mechanism with 7" arm extension and 26" Track
- Sizes:
 - L523 – W4" x H2-1/4" x D15-1/2"
 - L726 – W4" x H2-1/4" x D17-1/2"
- Weight: :
 - L523 – 8 lbs.
 - L726 – 9 lbs.
- 5" Mechanism requires minimum of 24" worksurface depth.
- 7" Mechanism requires a minimum of 26" worksurface depth.
- Color: Black
- Construction: Powder coated steel.
- Application: Use in straight or corner workstation configurations with all Details keyboard platforms
- Warranty: 10 years.
- Ideal for intensive computer user or multi-user workstation.
- Applicable to either wood or metal surfaces.
- L523 Mechanism height range: 8.3" travel range, 2.5" above the track to 5.8" below the track.
- L726 Mechanism height range: 10.8" travel range, 3.0 above the track to 7.8 below the track.
- Degrees of tilt angle possible: +/- 15 degrees.
- Rear swivel has 360 degree range.
- Product meets or exceeds all applicable ANSI/BIFMA test standards.
- Mechanisms are 98% Recyclable.



Call Details Customer Alliance for support - 800.833.0411

For a better day at work.™

details®

A STEELCASE COMPANY

P.O. Box 1967 / CD-5E / Grand Rapids, MI 49501-1967 / www.details-worktools.com

©2007 Office Details Inc. All Rights Reserved. Printed in U.S.A. 01/07

Subject to change without notice