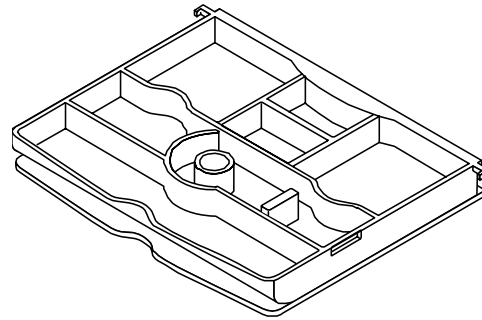


Office in a File

Customer Needs:

A convenient, low-cost – and portable – place to store small office supplies.



Product Features

Style Numbers:

WOFS – Office in a File

- Size: W12-3/4" x H1-3/8" x D9-5/8"
- Color: Amber, Arctic White, Black, Frost or Rain.
- Construction:
 - Translucent: Injection-molded engineering resin for quality and durability.
 - Opaque (Arctic White and Black): Injection-molded ABS plastic for quality and durability.
- Application: Slatwall, SlatRail, Freestanding, Pedestal, On-the-Go!.
- Warranty: 10 years.
- Complete storage for all office accessory tools – such as pens, tape, paper clips, glue, etc.
- Handle molded into product to permit easy transport.
- Product “hangs” in any standard-size pedestal when not in use; business tools inside product remain in dedicated compartment and will not fall out when hung vertically.
- Augments traditional filing space because the need for a pencil drawer is eliminated, thus allowing user to specify a file/file drawer pedestal, doubling the file capabilities of a traditional box/box/file drawer.
- Mounts to Slatwall and SlatRail for convenient access throughout the day.
- Office in a File top (cover) attaches to the bottom of the product for storage when in use.
- Top is translucent for visual access when closed.
- Ideal product for traveling jobs. Allows user to carry needed daily tools in an organized manner within a single case.
- Can be used while traveling as a rigid writing surface.
- Easily fits into a briefcase.
- Ideal for team areas, conference rooms, or any meeting space requiring these tools.
- Thin profile takes up minimal space while filed in pedestal.
- Office in a File base is available in five finish colors; top is translucent only.
- Tape dispenser can be accessed with cover on or off. Tape tear-off is molded into product; no additional parts that may be susceptible to breakage.
- Product has compartments for the following business tools; pens, pencils, business cards, clips, tacks, glue, correction fluid, or other related items.

For further information, please go to the Details website details-worktools.com
or call 800.833.0411

P.O. Box 1967 / CD-5E Grand Rapids, MI 49501-1967
©2009 Steelcase Inc. All rights reserved. 4/10