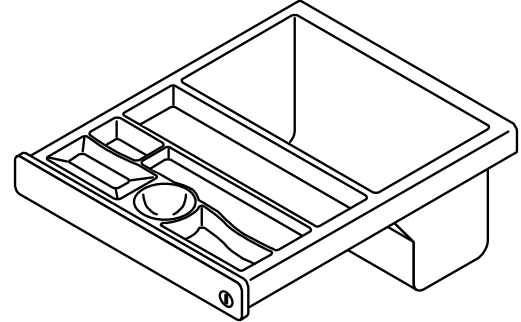


# Details “Pelican” Pencil Drawer

## Customer Needs:

A low-cost option for daily business tool storage and additional storage. Product can be retrofitted onto any installed worksurface or case good. Storage space can be used for additional filing space or storage of personal items. A locking lid option is available for security.



## Product Features

Style Numbers:

WDPD-L – Locking

WDPD-NL – Non-locking

- Size: W19¼" x H2¼" x D23¾" Bin: H10"
- Color: Black only
- Construction: Injection-molded, high-impact polystyrene plastic for quality and durability.
- Suspension Rails: Full-length, die-formed, 16-gauge steel with epoxy/polyester thermo-fused finish.
- Drawer Slides: Waterloo® full-extension ball bearing drawer slides.
- Application: 24"D unobstructed worksurface required; can be applied to straight or curved worksurface, need 20"W clearance.
- Warranty: 10 years
- Package contains drawer and file bars.
- Utilizes a Steelcase lock core and barrel. No other distribution channel can use this locking mechanism.
- The drawer can be keyed to match the rest of Steelcase workstation. Specify non-locking product and have Steelcase dealer order lock barrel to match rest of station. (R002088SR)
- Non-locking version ships with plug in place of lock.
- When in stored position, provides ample knee space clearance.
- Letter- or legal-size filing capabilities.
- Locking lid option allows user to store valuables (i.e., laptops, purses, sensitive materials) easily.
- Drawer will not close unless optional security lid is locked.
- Inconspicuous, won't affect overall workstation design.
- The pencil drawer design varies from the R&D Pelican pencil drawer. More user-friendly, smarter. Exclusive Details design. Front face also varies; aesthetically pleasing, with molded-in Details logo.
- Installation bar is available as an option for the dealer to assist in installation. Holds drawer in place while holes are being drilled and screws installed.
- Meets ANSI/BIFMA rating of slides 75 lbs. at 18" extension.
- Soft, durable front edge, friendly to chair/clothing.

**For further information, please go to the Details website [details-worktools.com](http://details-worktools.com)  
or call 800.833.0411**

P.O. Box 1967 / CD-5E Grand Rapids, MI 49501-1967  
©2009 Steelcase Inc. All rights reserved. 4/10