

Pen/Pencil Cup

Customer Needs:

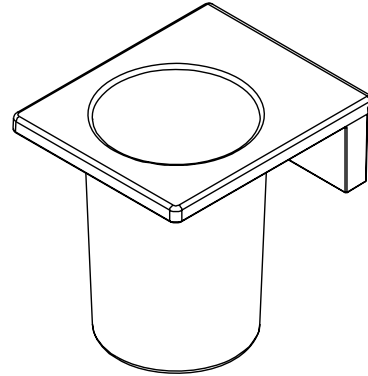
Keeps your pens, pencils, markers, letter opener – even scissors – right at your fingertips.

Product Features

Style Numbers:

WPCS – Pen/Pencil Cup

- Size: W3- $\frac{1}{4}$ " x H3- $\frac{5}{8}$ " x D4"
- Weight: 0.5 lbs.
- Color: Amber, Arctic White, Black, Frost or Rain
- Construction:
 - Translucent: Injection-molded engineering resin for quality and durability.
 - Opaque (Arctic White and Black): Injection-molded ABS plastic for quality and durability.
- Application: Slatwall, SlatRail
- Sturdy cup with 2- $\frac{3}{8}$ " diameter.
- Holds up to 2 lbs.
- Place in convenient location to prevent twisting and reaching for pens and pencils.



For further information, please go to the Details website details-worktools.com
or call 800.833.0411

P.O. Box 1967 / CD-5E Grand Rapids, MI 49501-1967
©2011 Steelcase Inc. All rights reserved. 3/11