

Personal Shelf

Customer Needs:

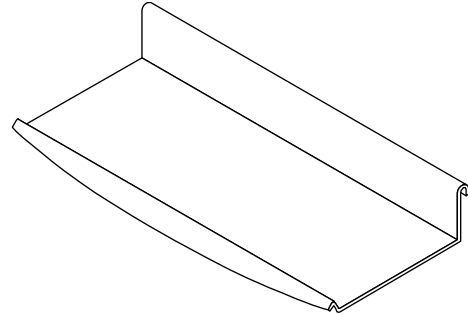
Use empty vertical space to personalize your office without sacrificing your desktop.

Product Features

Style Numbers:

WSPS – Personal Shelf

- Size: W13-1/2" x D6" (5" usable depth)
- Color: Black, Champagne or Pewter.
- Construction: Made of formed steel.
- Application: Slatwall and SlatRail.
- Warranty: 10 years.
- Handy storage for personal items and office tools.
- Raised front edge helps keep items from moving.
- Metal-to-metal attachment.



For further information, please go to the Details website details-worktools.com
or call 800.833.0411

P.O. Box 1967 / CD-5E Grand Rapids, MI 49501-1967
©2009 Steelcase Inc. All rights reserved. 4/10

For a better day at work.®

details

A Steelcase Company