

# Personal Underline

## Customer Needs:

Task lighting to supplement the available light in a workstation where energy efficiency, broad and evenly balanced light distribution and minimal glare are important. Appropriate for "green" companies with large installations.

## User Requirements:

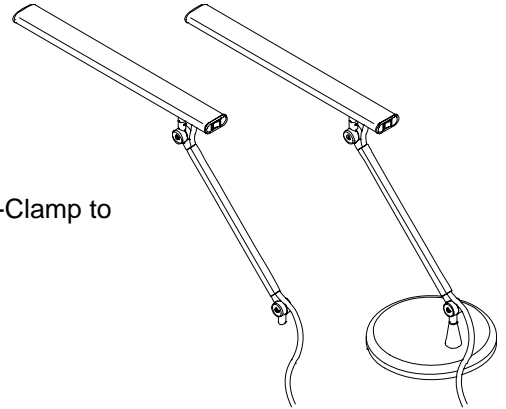
- Ability to easily position task lighting where needed
- Variety of mounting options from freestanding on worksurface, C-Clamp to worksurface, panel mounted, and Slatwall/Slatrail mounted
- Energy efficient electronic ballast

## Product Features

Style Numbers:

LUNDERF - Personal Underline Freestanding base  
LUNDER9AA - Personal Underline 9000, Answer, Avenir panel bracket  
LUNDERSW - Personal Underline Slatwall and Slatrail bracket  
LUNDERCP - Personal Underline C-Clamp bracket

- Three pivot points for maximum articulation
- Full head rotation through rotation range of 45° right or left, 45° side-to-side, and 45° up or down
- Arm adjustability range of 9" to 19"
- Size: W22" x H20" x D4¾"
- Color: Base: Pewter; Head and arm: Anodized aluminum; End Caps: Pewter
- Construction: Aluminum zinc plated, plastic end caps, acrylic batwing lens
- Warranty: Fixture - 10 years; Ballast - 5 years
- Mounting Applications: Freestanding, Slatwall/Slatrail, 9000, Answer, Avenir panel Mount, C-Clamp
- Ballast: In-line energy saving electronic ballast. Minimum of 1" clearance between worksurface and panel
- Lamp: 8-watt T2 3500K
- Cord Length: 8' with straight plug
- Cord Style: Straight
- Certification: U.L. and C.U.L. listed



For further information, please go to the Details website [details-worktools.com](http://details-worktools.com)  
or call 800.833.0411

P.O. Box 1967 / CD-5E Grand Rapids, MI 49501-1967  
©2009 Steelcase Inc. All rights reserved. 4/10