

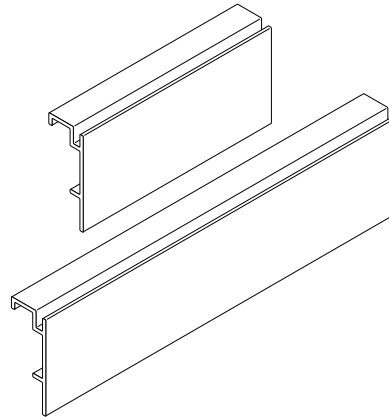
Post & Beam Fence Interface Bracket

Primary Customer Need:

Enables conversion of select Worktools for use on Post & Beam Fence. Low-cost method of achieving product crossover.

Product Features:

- Style Numbers: WSRB4 W4 x H2 x D1
WSRB10 W10 x H2 x D1
- Color: Pewter only
- Construction: Extruded aluminum
- Application: Post & Beam Fence
- Warranty: 10 years
- The 10" bracket should be utilized on the following products: Letter Tray, Office in a File, Tackstrip, Active Shelf, Passive Shelf, and Mini Shelf.
- The 4" bracket should be utilized on Binder Holder and other smaller Slatwall products.



For a better day at work.™

details®

A STEELCASE COMPANY

www.details-worktools.com
P.O. Box 1967 Grand Rapids, MI 49501-1967
All rights reserved. Printed in U.S.A. 11/04