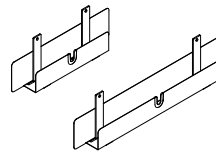


# SOTO Cableway

## Installation Instructions

17814601 Rev B Page 1 of 1



### SOTO Cableway

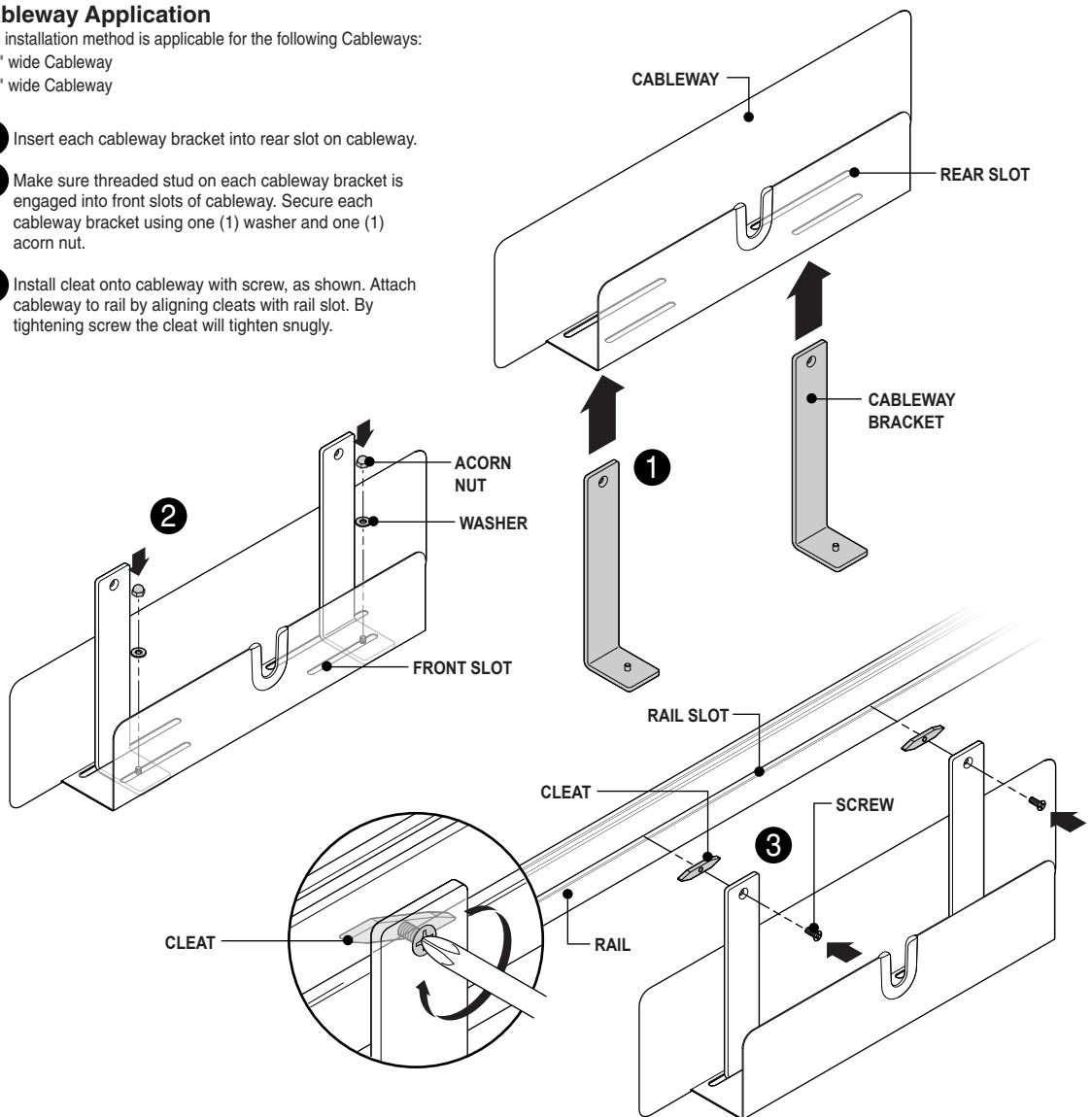
DSCW20  
DSCW30

#### Cableway Application

This installation method is applicable for the following Cableways:

- 20" wide Cableway
- 30" wide Cableway

- 1 Insert each cableway bracket into rear slot on cableway.
- 2 Make sure threaded stud on each cableway bracket is engaged into front slots of cableway. Secure each cableway bracket using one (1) washer and one (1) acorn nut.
- 3 Install cleat onto cableway with screw, as shown. Attach cableway to rail by aligning cleats with rail slot. By tightening screw the cleat will tighten snugly.



For a better day at work.™

# details®

A STEELCASE COMPANY

P.O. Box 1967 / CD-5E / Grand Rapids, MI 49501-1967 / [www.details-worktools.com](http://www.details-worktools.com)

©2009 Office Details Inc. All rights reserved. Printed in U.S.A. 3/09