

SOTO™ Cableway

Customer Needs:

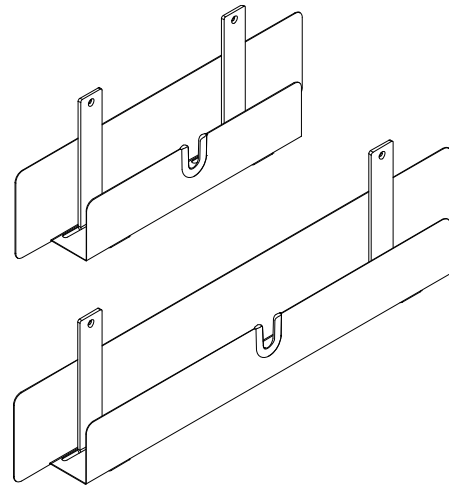
Integrates with the SOTO Rail to help manage cables and power at worksurface height for a clean aesthetic.

Product Features

Style Numbers:

- DSCW20 20"W Cableway
- DSCW30 30"W Cableway

- Color: Platinum
- Construction: Steel channel and brackets with polypropylene plastic grommet
- Weight: 2 lbs.
- Dimensions:
 - DSCW20 W20" x D2-1/2"
 - DSCW30 W30" x D2-1/2"
- Application: SOTO Rail mounted
- Warranty: 10 years
- Cableway hangs fixed at 8" below worksurface
- Can be used in combination with c:scape Personal/Modesty Screens on freestanding furniture (see Steelcase SCX electronic catalog for more information)
- Center grommet provides protected area for cables/cords to enter and exit



For further information, please go to the Details website details-worktools.com
or call 800.833.0411

P.O. Box 1967 / CD-5E Grand Rapids, MI 49501-1967
©2009 Steelcase Inc. All rights reserved. 01/10

For a better day at work.®

details

A Steelcase Company