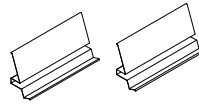


SOTO Display Shelves

Installation Instructions

19086101 Rev A Page 1 of 1

SOTO Display Shelves

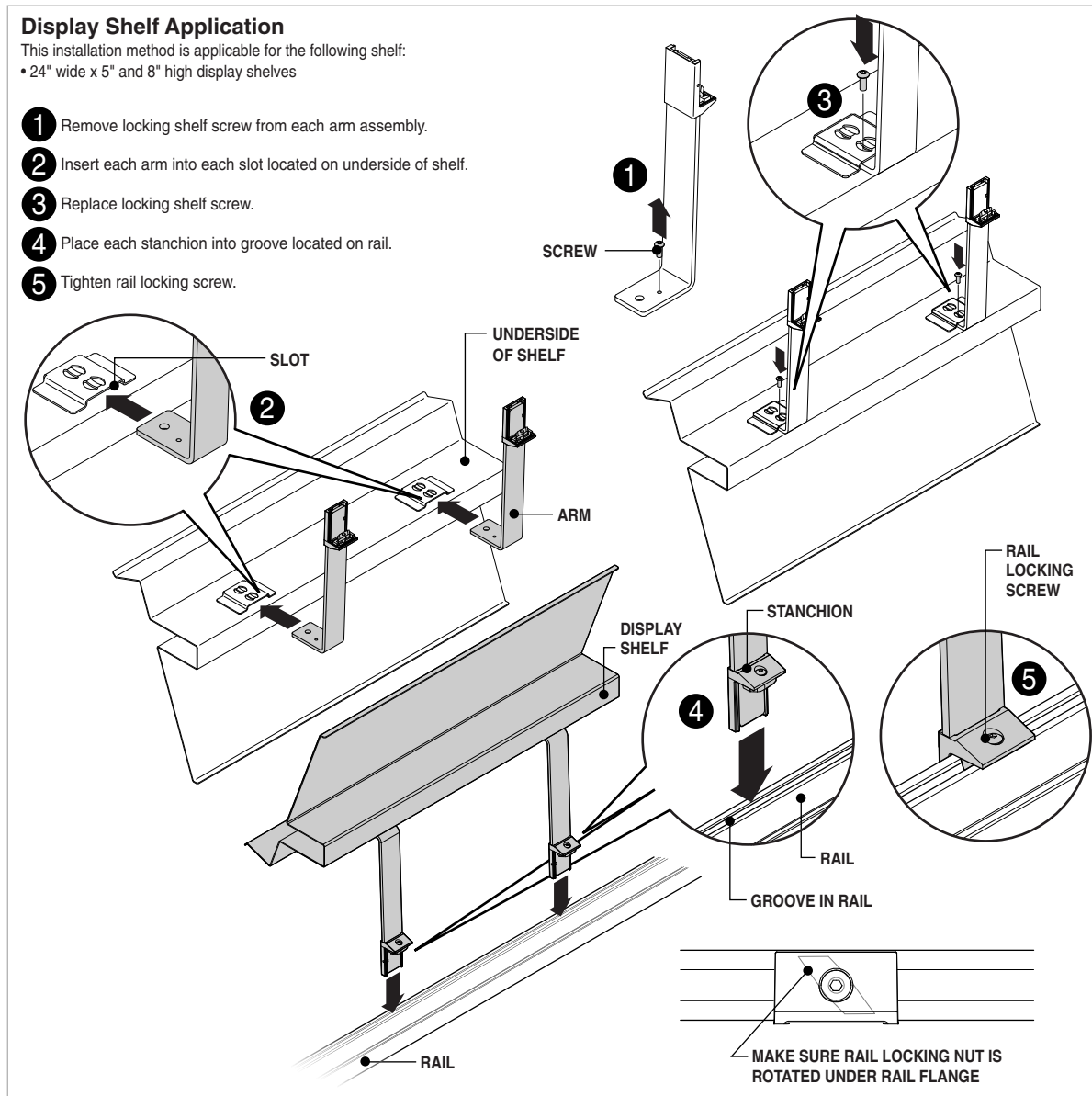


DDS245
DDS248

Display Shelf Application

This installation method is applicable for the following shelf:
• 24" wide x 5" and 8" high display shelves

- 1 Remove locking shelf screw from each arm assembly.
- 2 Insert each arm into each slot located on underside of shelf.
- 3 Replace locking shelf screw.
- 4 Place each stanchion into groove located on rail.
- 5 Tighten rail locking screw.



For a better day at work.™

details®

A STEELCASE COMPANY

P.O. Box 1967 / CD-5E / Grand Rapids, MI 49501-1967 / www.details-worktools.com

©2009 Office Details Inc. All rights reserved. Printed in U.S.A. 4/09