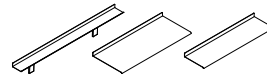


SOTO Shelves

Installation Instructions

SOTO Shelves

DSS363
DSS246
DSS2410



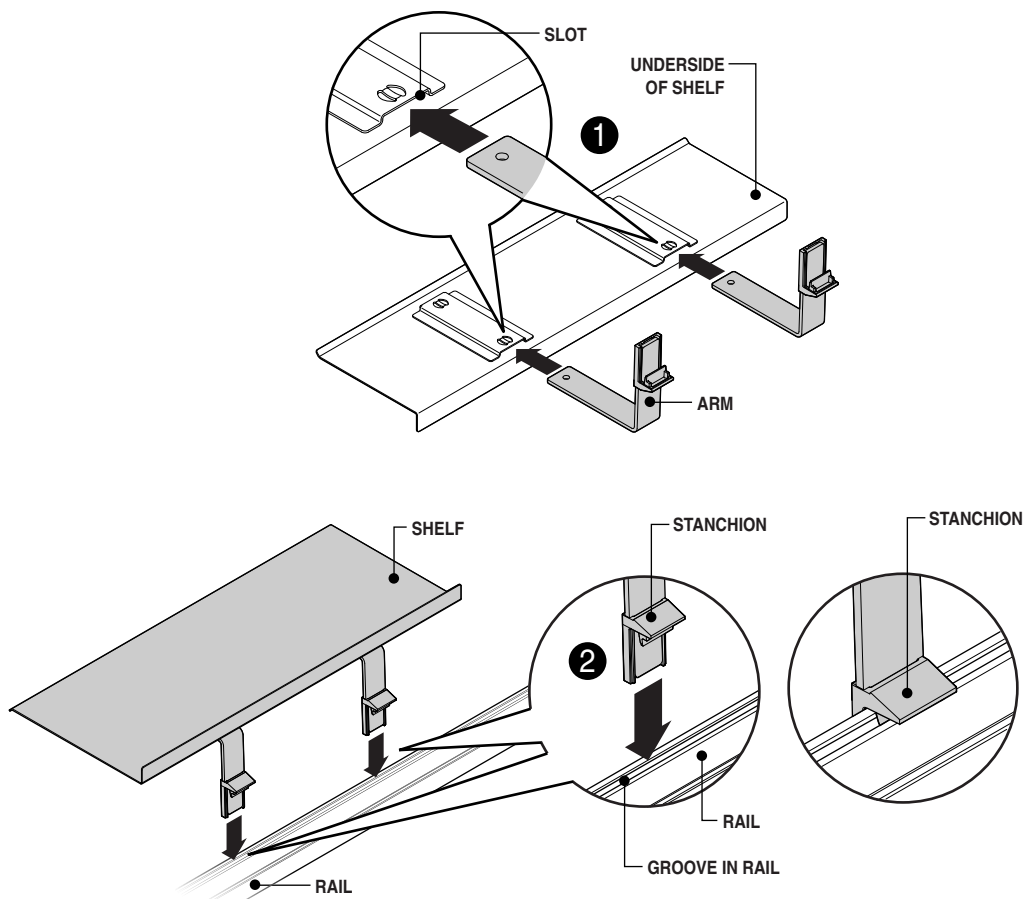
17814301 Rev C Page 1 of 1

Shelf Application

This installation method is applicable for the following shelves:

- 24" wide x 6" and 10" deep shelves
- 36" wide x 3" deep shelves

- 1 Insert each arm into each slot located on underside of shelf.
- 2 Place each stanchion into groove located on rail.



For a better day at work.™

details®

A STEELCASE COMPANY

P.O. Box 1967 / CD-5E / Grand Rapids, MI 49501-1967 / www.details-worktools.com

©2009 Office Details Inc. All rights reserved. Printed in U.S.A. 4/09