

## Series 3 Adjustables Tables

### Dimensioned Line Drawings Base-only for Rectangular Tables

Style No.                      Dim. A (worksurface width)

#### For 23"D Units

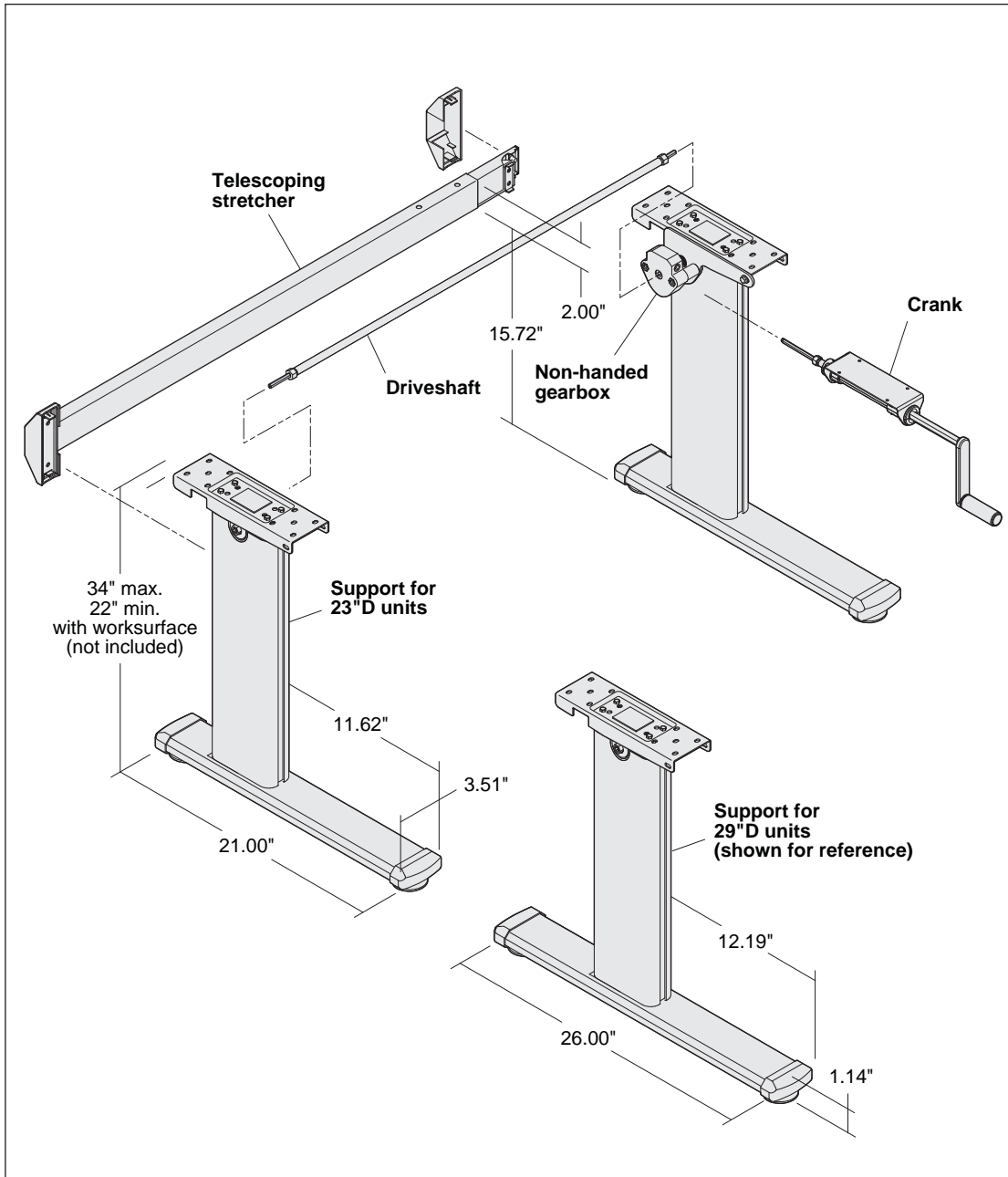
A3RQ64TO7623B              64" through 76"

#### For 29"D Units

A3RQ5829B                      58"

A3RQ64TO7629B              64" through 76"

NOTE: Base-only package includes two supports, telescoping crossbar, driveshaft, non-handed gearbox and crank. Worksurface is ordered separately.



◀ features



◀ construction



◀ materials



◀ print this page

## Series 3 Adjustables Tables

### Dimensioned Line Drawings Base-only for 90° Equal and Extended Corner Tables

Style No.                      Dim. A (worksurface depth x widths)

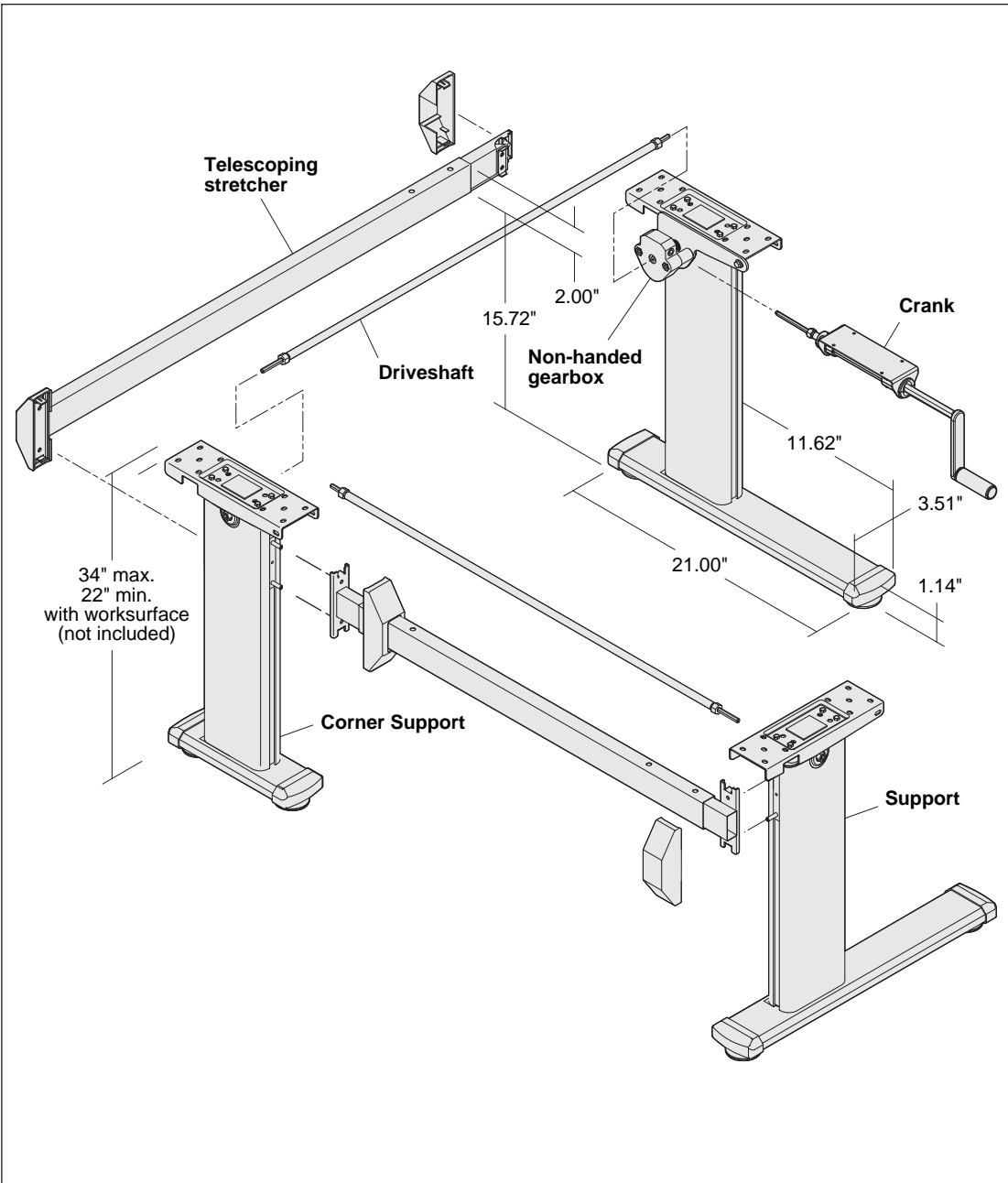
#### Equal

A3LQ52X52B	23"D x 52"W
A3LQ58X58B	23"D x 58"W
A3LQ64TO76B	23"D x 64" to 76"W

#### Extended

A3LE40X52B	23"D x 40"W x 52"W
A3LE46X58B	23"D x 46"W x 58"W
A3LE40X64TO76B	23"D x 40"W x 64" to 76"W
A3LE46X64TO76B	23"D x 46"W x 64" to 76"W
A3LE58X64TO76B	23"D x 58"W x 64" to 76"W

NOTE: Base-only package includes three supports, two telescoping crossbars, two driveshafts, a non-handed gearbox and a crank. Worksurface is ordered separately.



◀ features



◀ construction



◀ materials



◀ print this page

## Series 3 Adjustable Tables

### Dimensioned Line Drawings Base-only for 120° Equal and Extended Corner Tables

Style No.                      Dim. A (worksurface depth x widths)

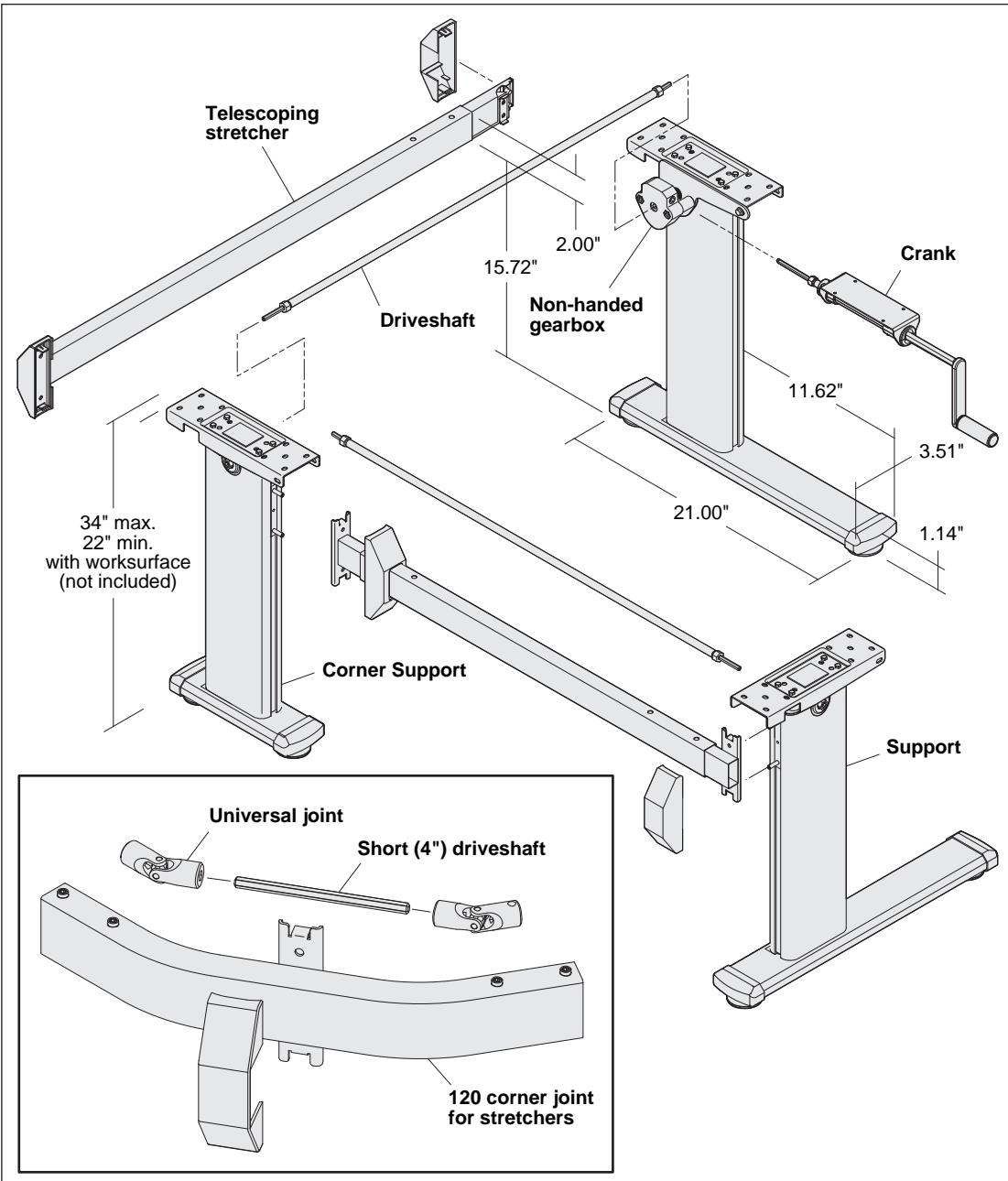
#### Equal

A3WQ40X40B	23"D x 40"W
A3WQ46TO58B	23"D x 46" TO 58"W
A3WQ64X64B	23"D x 64"W

#### Extended

A3WE34X58B	23"D x 34"W x 58"W
A3WE40X58B	23"D x 40"W x 58"W
A3WE34X64B	23"D x 34"W x 64"W
A3WE40X64B	23"D x 40"W x 64"W
A3WE46X64B	23"D x 46"W x 64"W
A3WE58X64B	23"D x 58"W x 64"W

NOTE: Base-only package includes three supports, two telescoping crossbars and a 120° corner joint, three driveshafts, two universal joints, a non-handed gearbox and a crank. Worksurface is ordered separately.



◀ features



◀ construction



◀ materials



◀ print this page