

Series 5 Adjustable Tables

Dimensioned Line Drawings Base-only for Rectangular Tables

Style No. Dim. A (worksurface width)

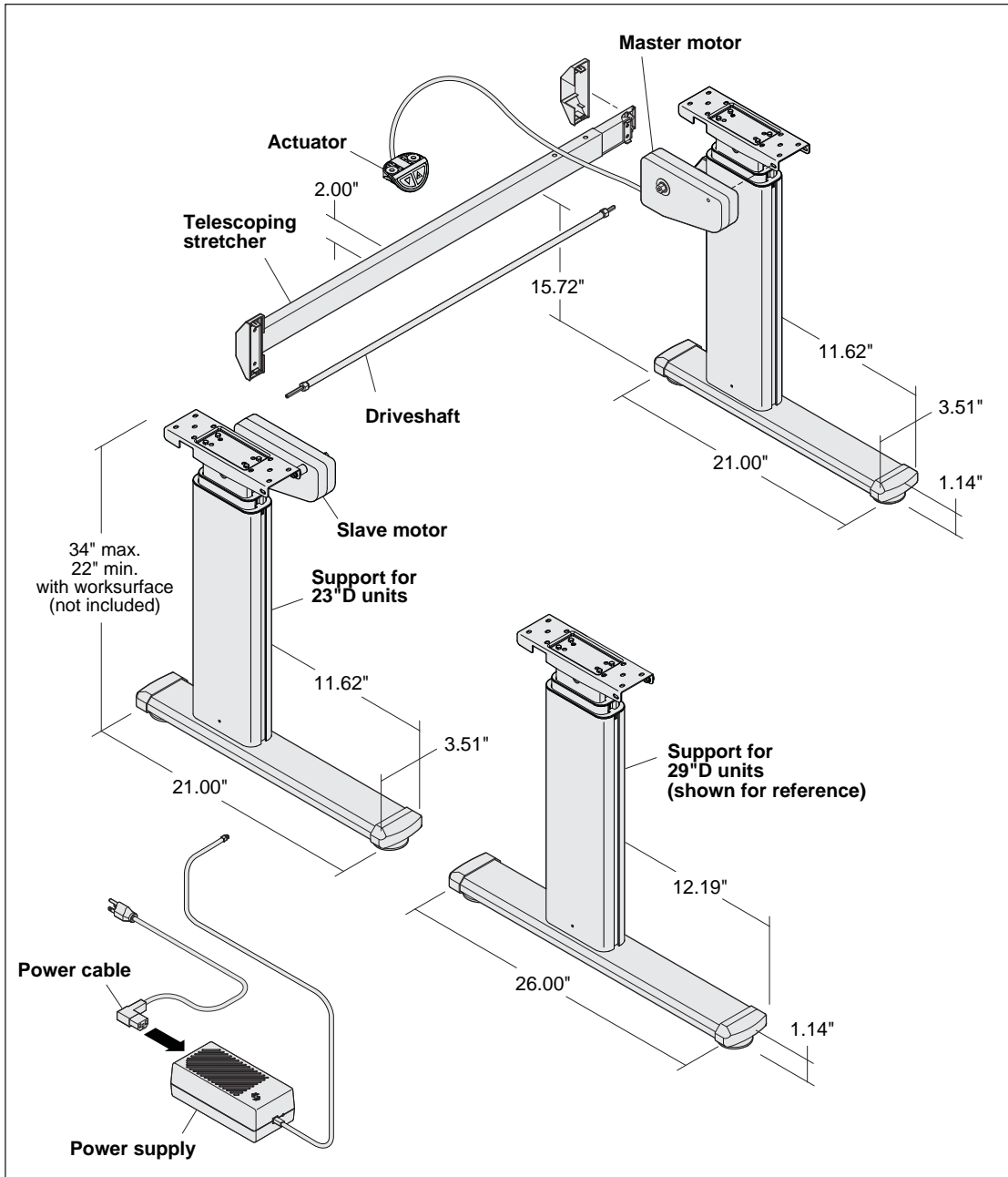
For 23"D Units

A5RQ34TO4023B	34" through 40"
A5RQ46TO5223B	46" through 52"
A5RQ5823B	58"
A5RQ64TO7623B	64" through 76"

For 29"D Units

A5RQ34TO4029B	34" through 40"
A5RQ46TO5229B	46" through 52"
A5RQ5829B	58"
A5RQ64TO7629B	64" through 76"

NOTE: Base-only package includes two supports, a telescoping crossbar, a driveshafts, two motors, power supply, cords and an actuator. Worksurface is ordered separately.



! ◀ features

🔨 ◀ construction

📄 ◀ materials

🖨️ ◀ print this page

Series 5 Adjustable Tables

Dimensioned Line Drawings Base-only for 90° Equal and Extended Corner Tables

Style No. Dim. A (worksurface depth x widths)

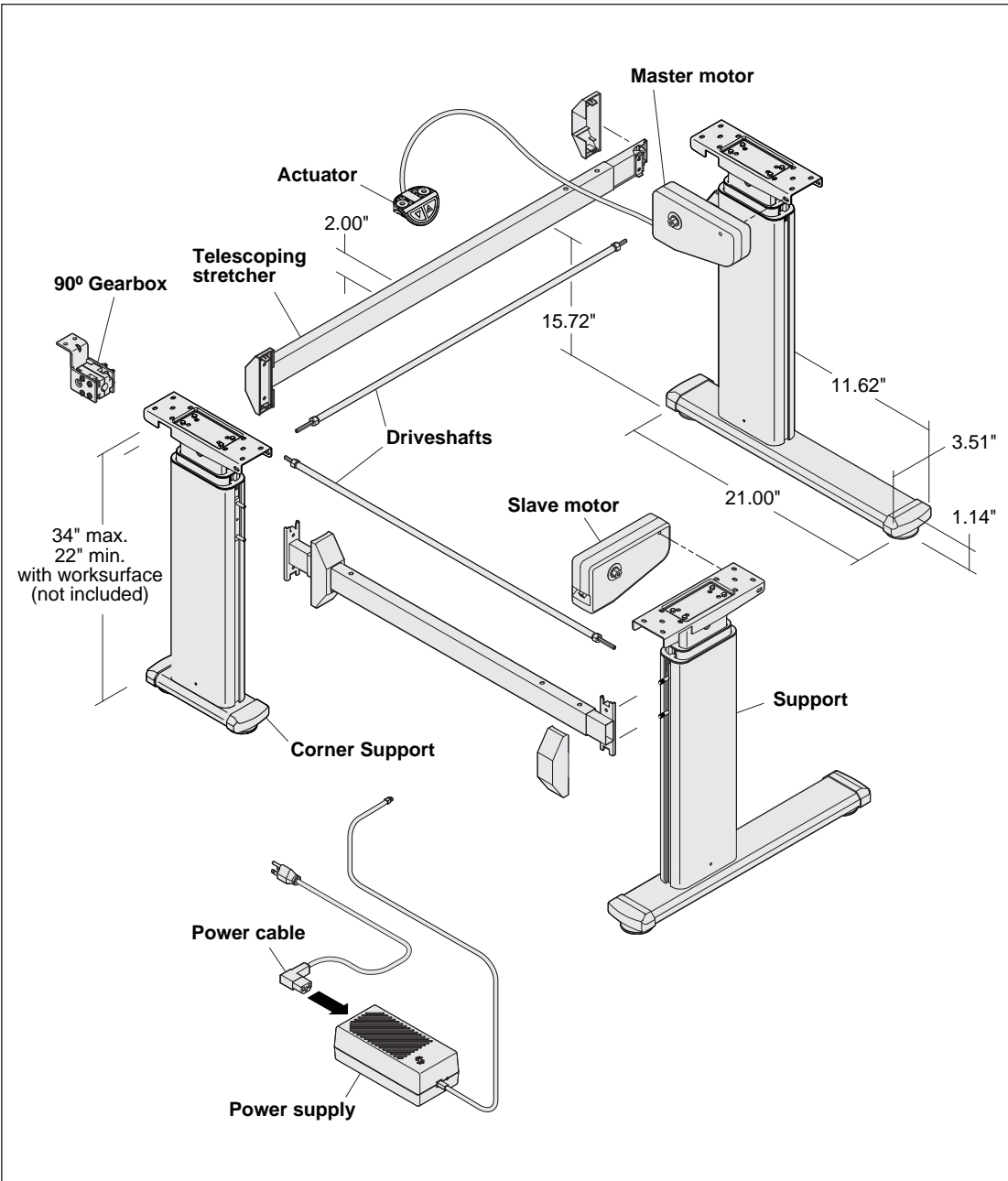
Equal

A5LQ52X52B	23"D x 52"W
A5LQ58X58B	23"D x 58"W
A5LQ64TO76B	23"D x 64" to 76"W

Extended

A5LE40X52B	23"D x 40"W x 52"W
A5LE46X58B	23"D x 46"W x 58"W
A5LE40X64TO76B	23"D x 40"W x 64" to 76"W
A5LE46X64TO76B	23"D x 46"W x 64" to 76"W
A5LE58X64TO76B	23"D x 58"W x 64" to 76"W

NOTE: Base-only package includes three supports, two telescoping crossbars, two driveshafts and a 90° gearbox, two motors, power supply, cords and an actuator. Worksurface is ordered separately.



◀ features



◀ construction



◀ materials



◀ print this page

details[®]
A STEELCASE COMPANY

Series 5 Adjustable Tables

Dimensioned Line Drawings Base-only for 120° Equal and Extended Corner Tables

Style No. Dim. A (worksurface depth x widths)

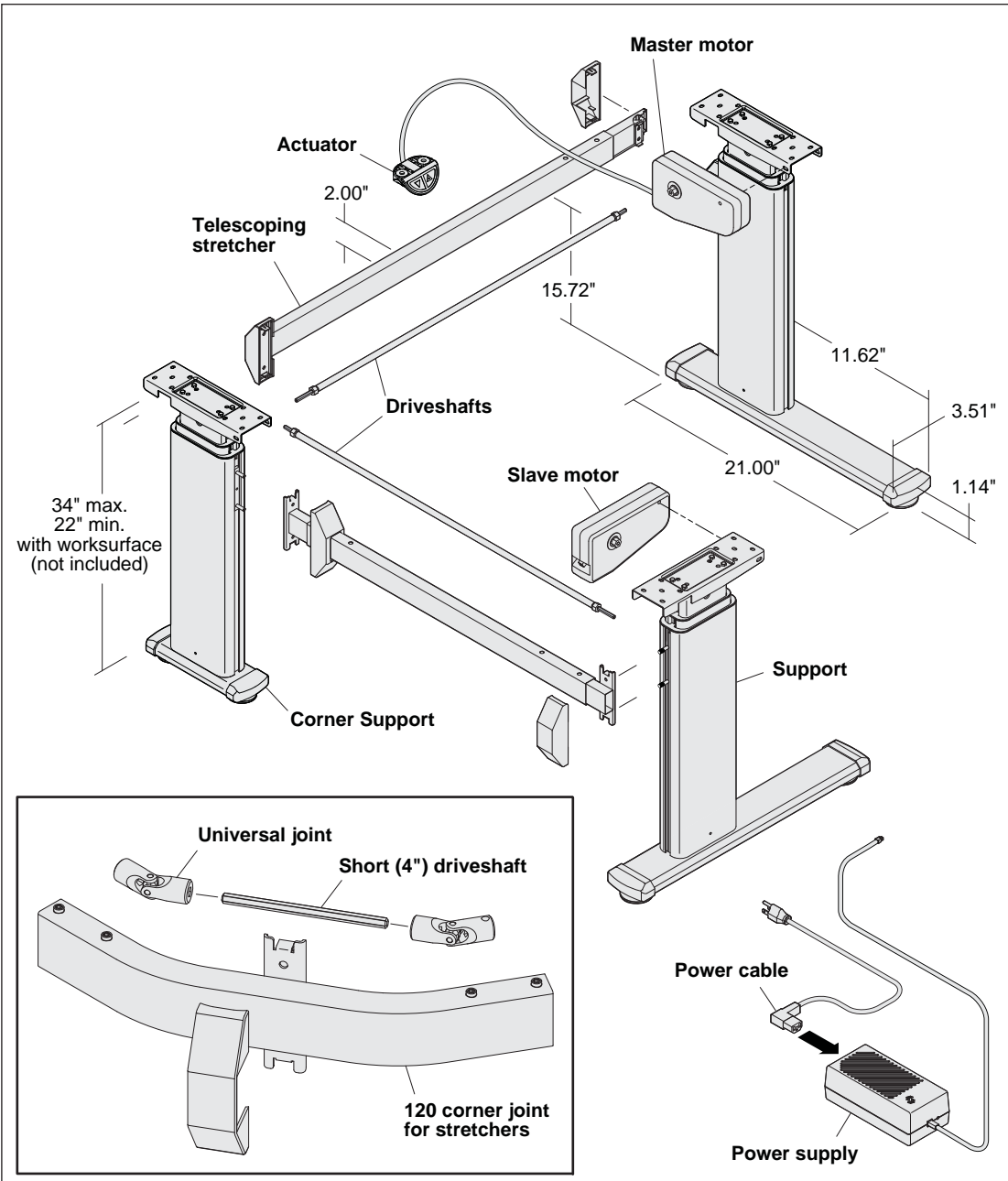
Equal

A5WQ40X40B	23"D x 40"W
A5WQ46TO58B	23"D x 46" TO 58"W
A5WQ64X64B	23"D x 64"W

Extended

A5WE34X58B	23"D x 34"W x 58"W
A5WE40X58B	23"D x 40"W x 58"W
A5WE34X64B	23"D x 34"W x 64"W
A5WE40X64B	23"D x 40"W x 64"W
A5WE46X64B	23"D x 46"W x 64"W
A5WE58X64B	23"D x 58"W x 64"W

NOTE: Base-only package includes three supports, two telescoping crossbars and a 120° corner joint, three driveshafts, two universal joints, two motors, power supply, cords and an actuator. Worksurface is ordered separately.



! features

🔨 construction

📄 materials

🖨️ print this page