

Single and Double Pole Mount

Customer Needs:

To support flat panel monitors in a workstation environments. Particularly important to users in workstation environments which offer limited space and /or non-height adjustable workspaces. Also applicable to multi-user workstations due to the ease of adjustment and storage when not in use.

User Requirements:

- Ease of positioning of a flat panel monitor across a broad range of adjustment.
- Allows ease of height range and viewing angle changes.
- Allows monitor to be positioned at the correct viewing distance to relieve eyestrain.
- Frees valuable workspace space that was previously unusable.
- Allows for the design of a smaller workspace footprint to be specified effectively yielding more square footage.

Product Features

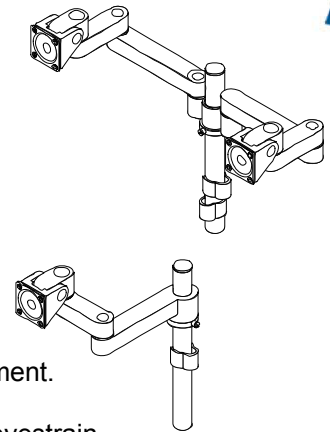
Style Numbers: Arms

- CFSHA – Pole Mount, Single Arm
- CFDHA – Pole Mount, Double Arm

Style Numbers: Brackets

- CFSPC – Desk-Clamp/Grommet
- CFSPTM – Through Mount
- CFSPWM – Wall/Reverse Wall Mount
- CFSPSW – Slatwall (Single Arm Only)
- CFSPSR – SlatRail (Single Arm Only)

- Color: Charcoal or Pewter.
- Construction: Aluminum and steel
- Warranty: 10 years on arm and mounting methods, 5 years on pneumatic cylinder
- Supports monitors weighing 5–35 lbs.
- 14" focal adjustment range from pole
- 12" h pole
- 10" height adjustment (based on application)
- Arm is horizontal orientation
- Arm will fold into approximately 3" of space
- Cable management included with pole
- Order both arm and mounting bracket



For further information, please go to the Details website details-worktools.com or call 800.833.0411

P.O. Box 1967 / CD-5E Grand Rapids, MI 49501-1967
©2009 Steelcase Inc. All rights reserved. 5/10