

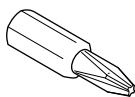
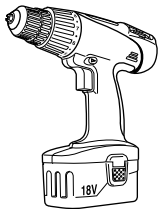
# SlatRail Brackets for c:scape

## Installation Instructions

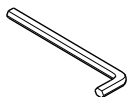
Slatrail Brackets for c:scape  
DSRCS

19005701 Rev A

### Tools Required:

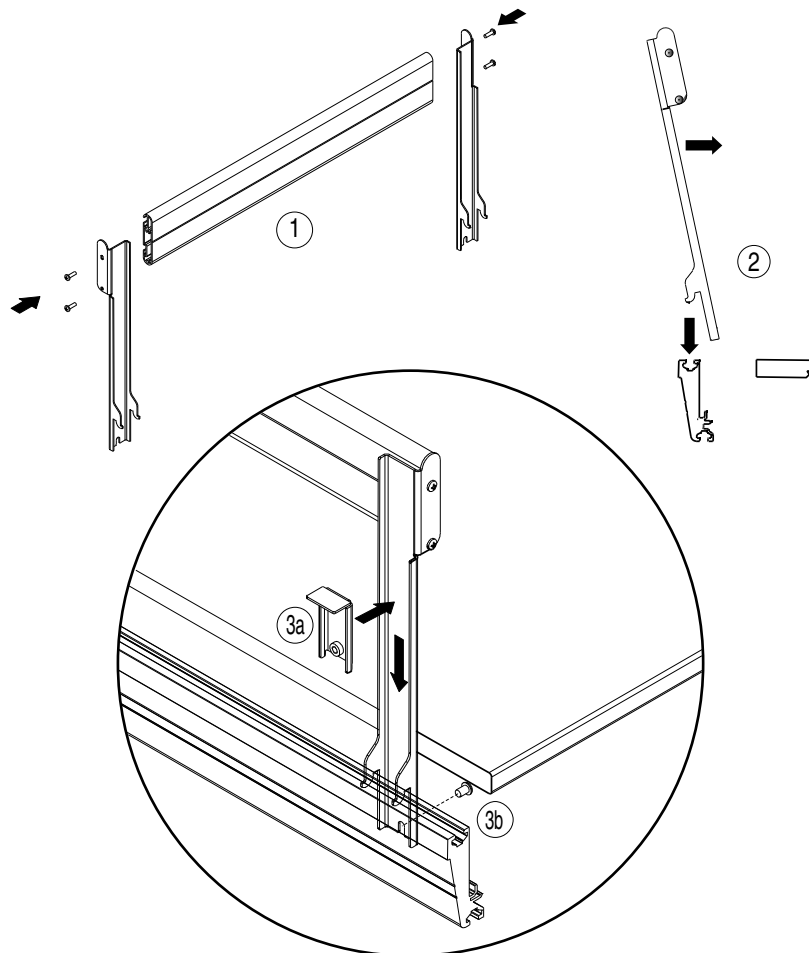


#2 Phillips Bit



5/32" Allen Wrench

- 1 Install SlatRail brackets onto ends of SlatRail, using included hardware.
- 2 Rotate SlatRail bracket assembly into place on desk rail.
- 3a Drop wedge bracket into place.
- 3b Install & tighten screws.



For a better day at work.™

# details®

A STEELCASE COMPANY

P.O. Box 1967 / CD-5E / Grand Rapids, MI 49501-1967 / [www.details-worktools.com](http://www.details-worktools.com)

©2007 Office Details Inc. All rights reserved. Printed in U.S.A. 3/09