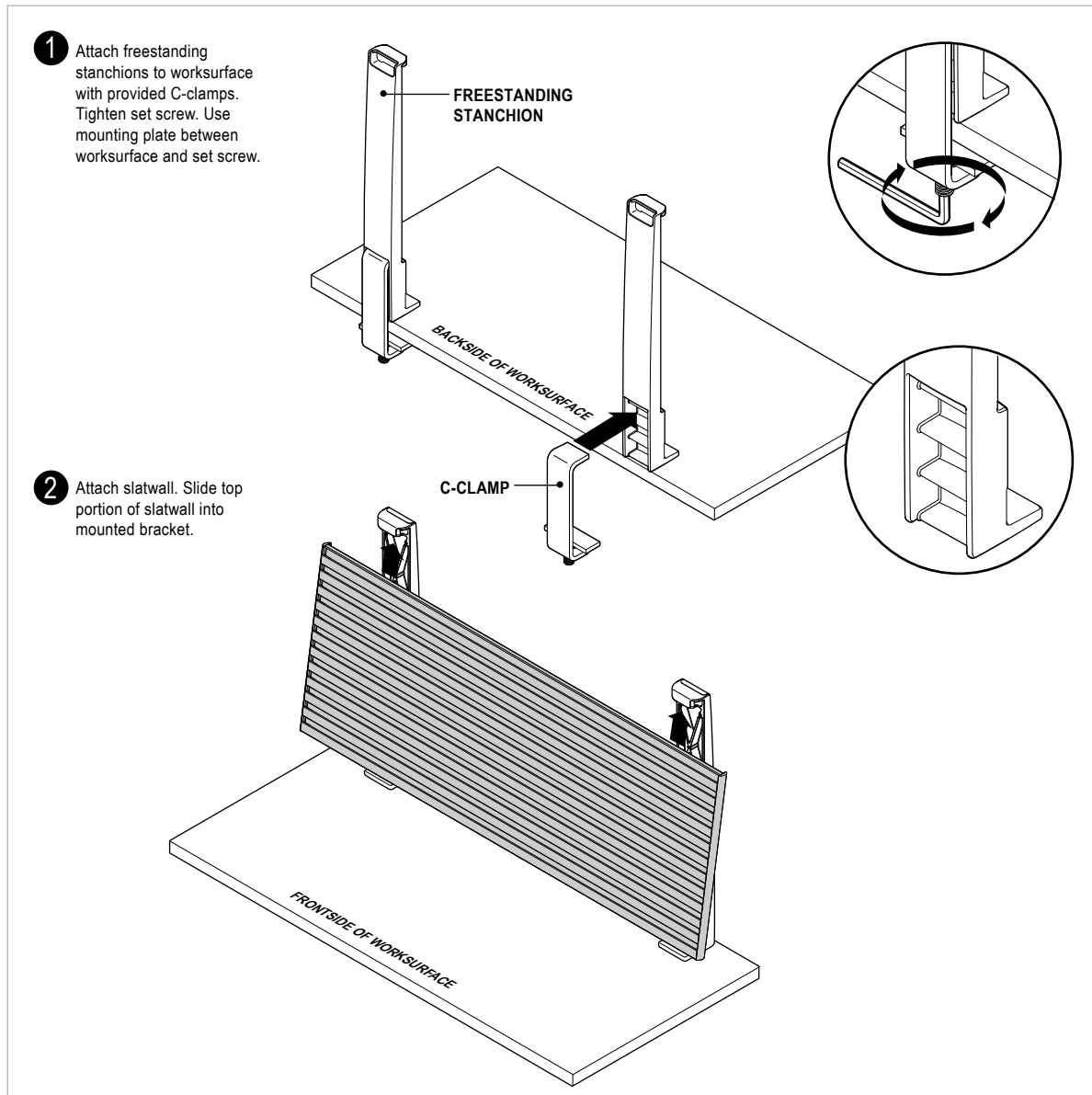


# Slatwall Stanchion Assembly

## Installation Instructions

WFCS

005549D Rev B Page 1 of 2



For a better day at work.™

# details®

A STEELCASE COMPANY

P.O. Box 1967 / CD-5E / Grand Rapids, MI 49501-1967 / [www.details-worktools.com](http://www.details-worktools.com)

©2007 Office Details Inc. All rights reserved. Printed in U.S.A. 12/07

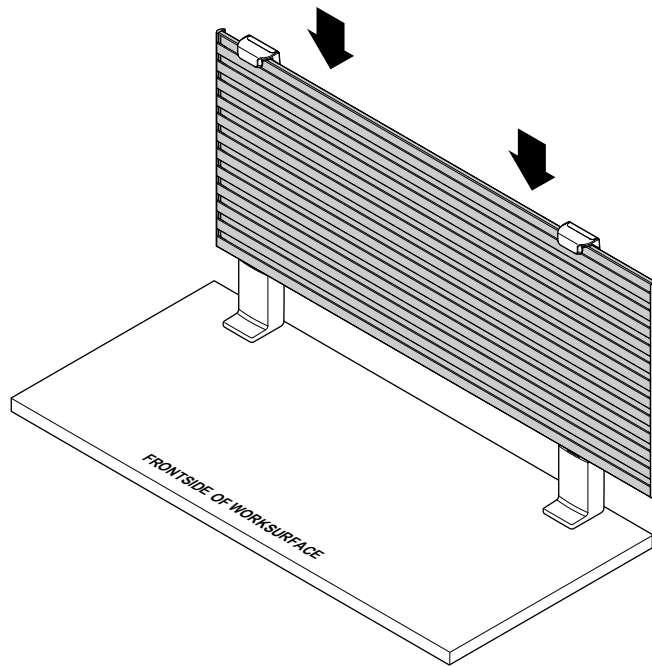
# Slatwall Stanchion Assembly

## Installation Instructions

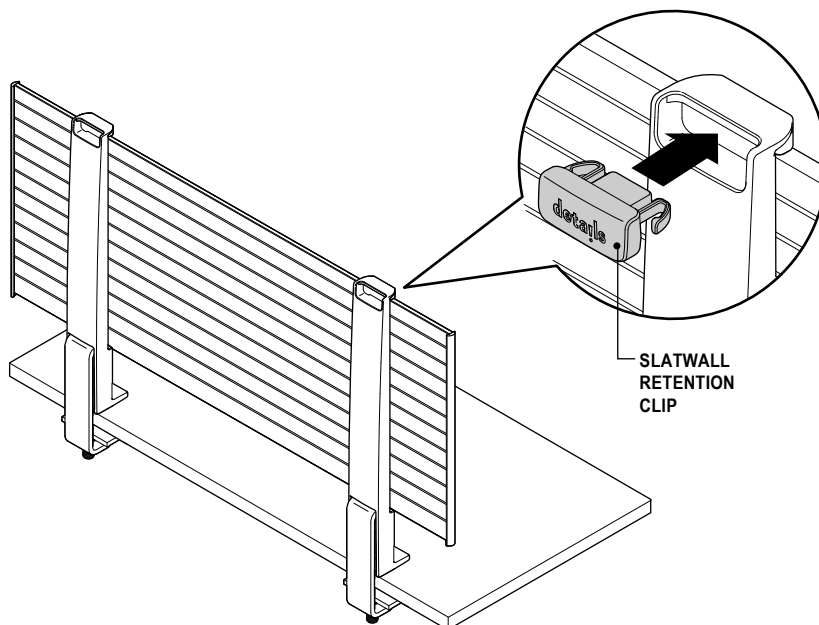
WFCS

005549D Rev B Page 2 of 2

- 3** Drop bottom portion of slatwall into bracket.



- 4** Insert slatwall retention clip into top of each stanchion to prevent accidental dislodgement.



**SIDE VIEW**



**NOTE:** For proper installation, slatwall hooks should be upward.