

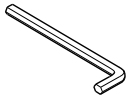
Slatwall Brackets for c:scape

Installation Instructions

Slatwall Brackets for c:scape
DSWCS

17810001 Rev A

Tools Required:



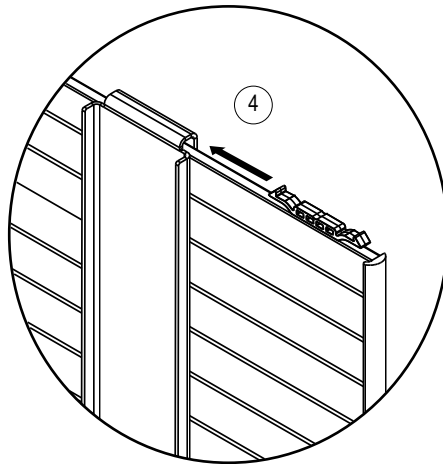
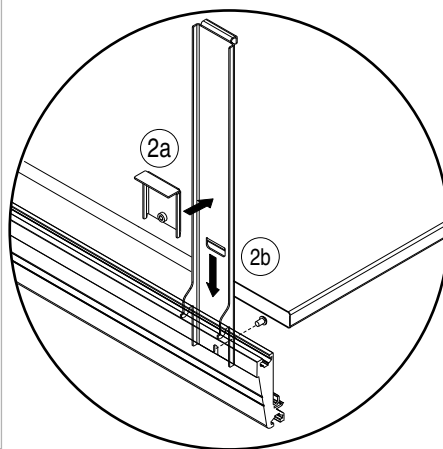
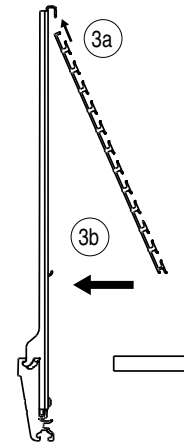
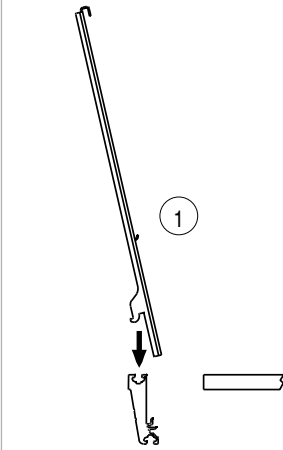
5/32" Allen Wrench

1 Rotate Slatwall brackets into place on desk rail.

2 2a Drop wedge bracket into place.
2b Install & tighten screws.

3 3a Slide top of Slatwall tile into brackets.
3b Lower bottom of Slatwall tile into brackets

4 Install Slatwall Retention Clip into top of each bracket, to prevent accidental dislodgement.



For a better day at work.™

details®

A STEELCASE COMPANY

P.O. Box 1967 / CD-5E / Grand Rapids, MI 49501-1967 / www.details-worktools.com

©2007 Office Details Inc. All rights reserved. Printed in U.S.A. 3/09

Slatwall Brackets for c:scape Installation Instructions

details®