



005671D Rev A

Installation Instructions

Palm Rests for Compact or Slider Platforms

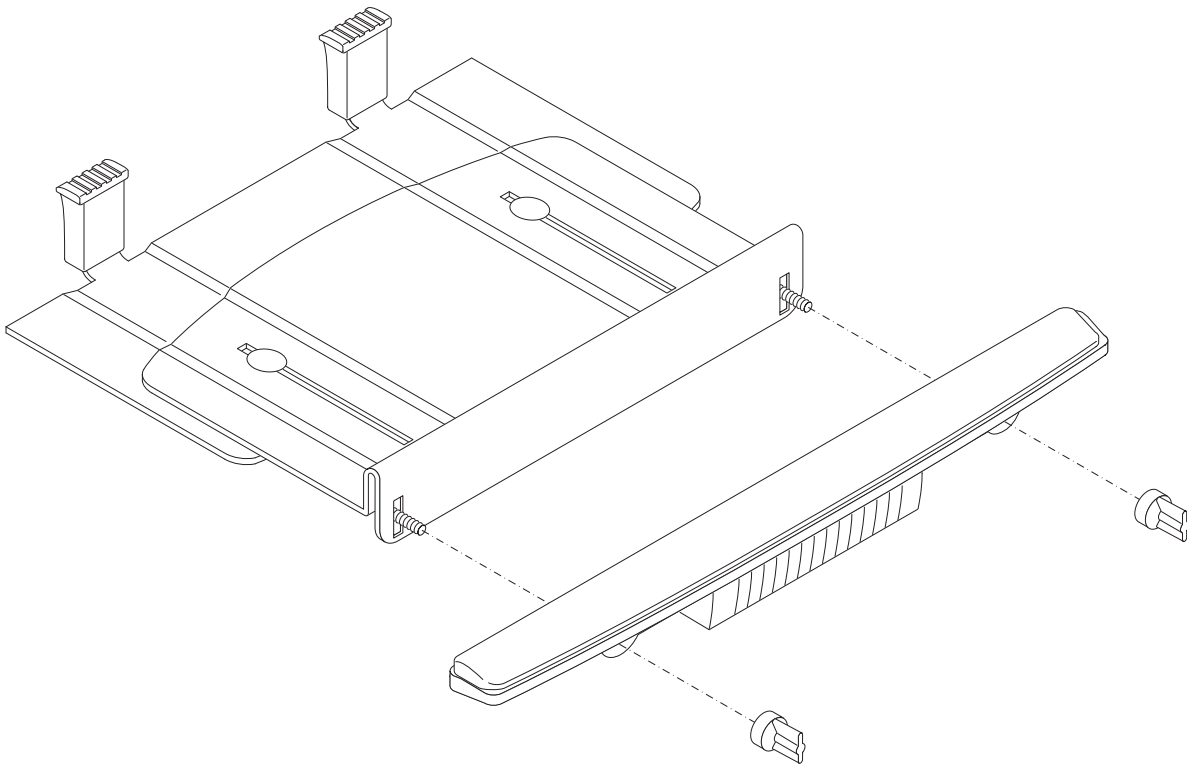
1.5" Palm Rest
SA



3" Palm Rest
DA



1 Insert screws and attach palm rest.



For a better day at work.™

details®

A STEELCASE COMPANY

www.details-worktools.com
P.O. Box 1967 Grand Rapids, MI 49501-1967
All rights reserved. Printed in U.S.A. 9/07