

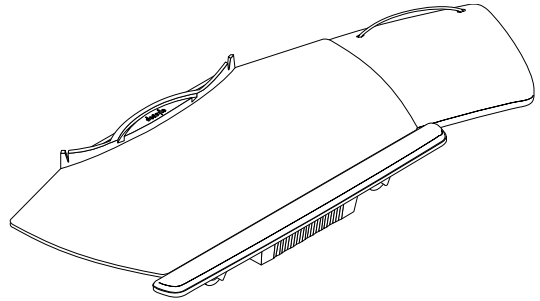
Slider Keyboard Platform

Customer Needs:

A keyboard support platform that allows for the use of both a keyboard and mouse on the same horizontal surface.

User Requirements

- Ambidextrous, integrated mousing surface adjusts without tools for left- or right-handed mousing.
- Includes cable management routing clips.
- Creates an integrated workstation approach.



Product Features

Style Numbers:

- SL 10 00 – Platform with/out palm rest
- SL 10 SA – Platform with standard adjustable palm rest
- SL 10 DA – Platform with deeper adjustable palm rest

- Size: W20" x H3" x D9-1/2" (W8" x D8" mouse surface)
- Color: Champagne, Charcoal, or Pewter
- Construction: Platform is powder-coated, formed steel. Mouse Surface is injection molded ABS plastic.
- Application: Use in straight or corner workstation configurations with either the Details Lift and Lock or Stella keyboard mechanisms.
- Warranty: 10 years.
- Requires a minimum 20" knee space.
- Built-in document slot holds up to 20 sheets of paper.
- Ideal for multi-user workstations.
- Ambidextrous, integrated mousing surface for left- or right-handed mousing.
- Curved mouse surface design for correct ergonomic positioning.
- Palm rests are height adjustable from 1/4" to 1-1/2"
- Palm rest is covered in a washable nylon material
- Cable management routing clips are included with mounting hardware.
- Product meets or exceeds all applicable ANSI/BIFMA test standards.

For further information, please go to the Details website details-worktools.com or call 800.833.0411

P.O. Box 1967 / CD-5E Grand Rapids, MI 49501-1967
©2010 Steelcase Inc. All rights reserved. 5/10