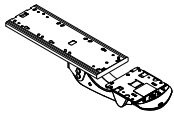


Stella[®] Mechanism

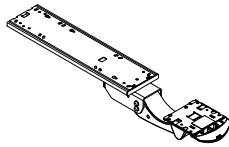
(See page 2 for Lift and Lock Mechanism)

Installation Instructions 18678201 Rev E

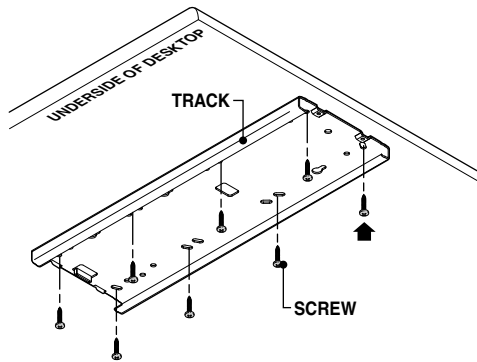
SS20



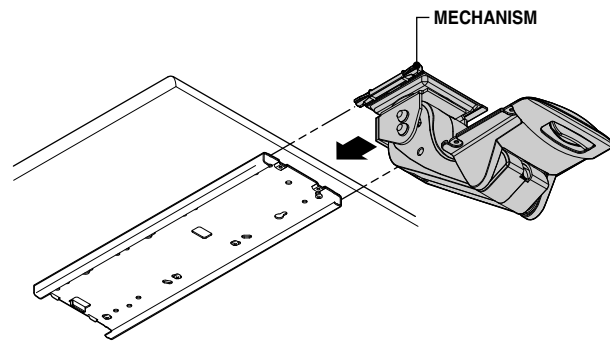
SE23



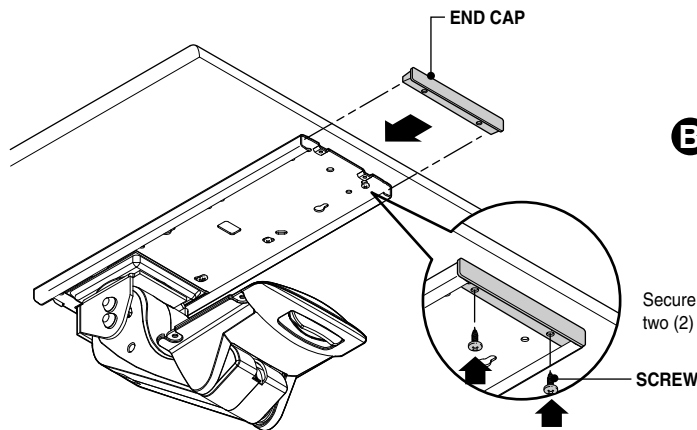
- 1** Please make use of all appropriate hardware provided. Mounting screws are 5/8" in length for attaching track to a worksurface with a 3/4" thickness or greater.



- 2** Slide mechanism into track.

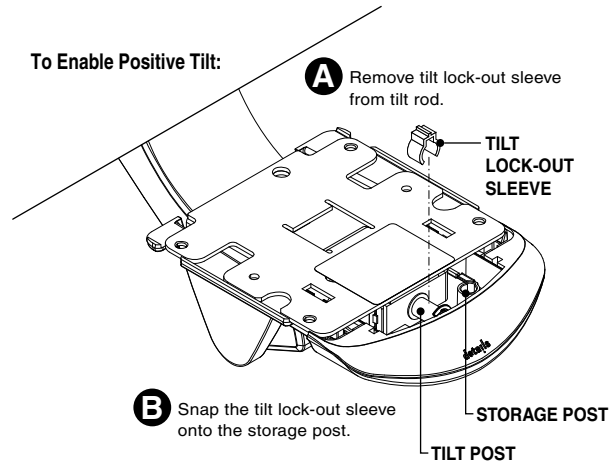


- 3** Insert end cap.



To Enable Positive Tilt:

- A** Remove tilt lock-out sleeve from tilt rod.



- B** Snap the tilt lock-out sleeve onto the storage post.

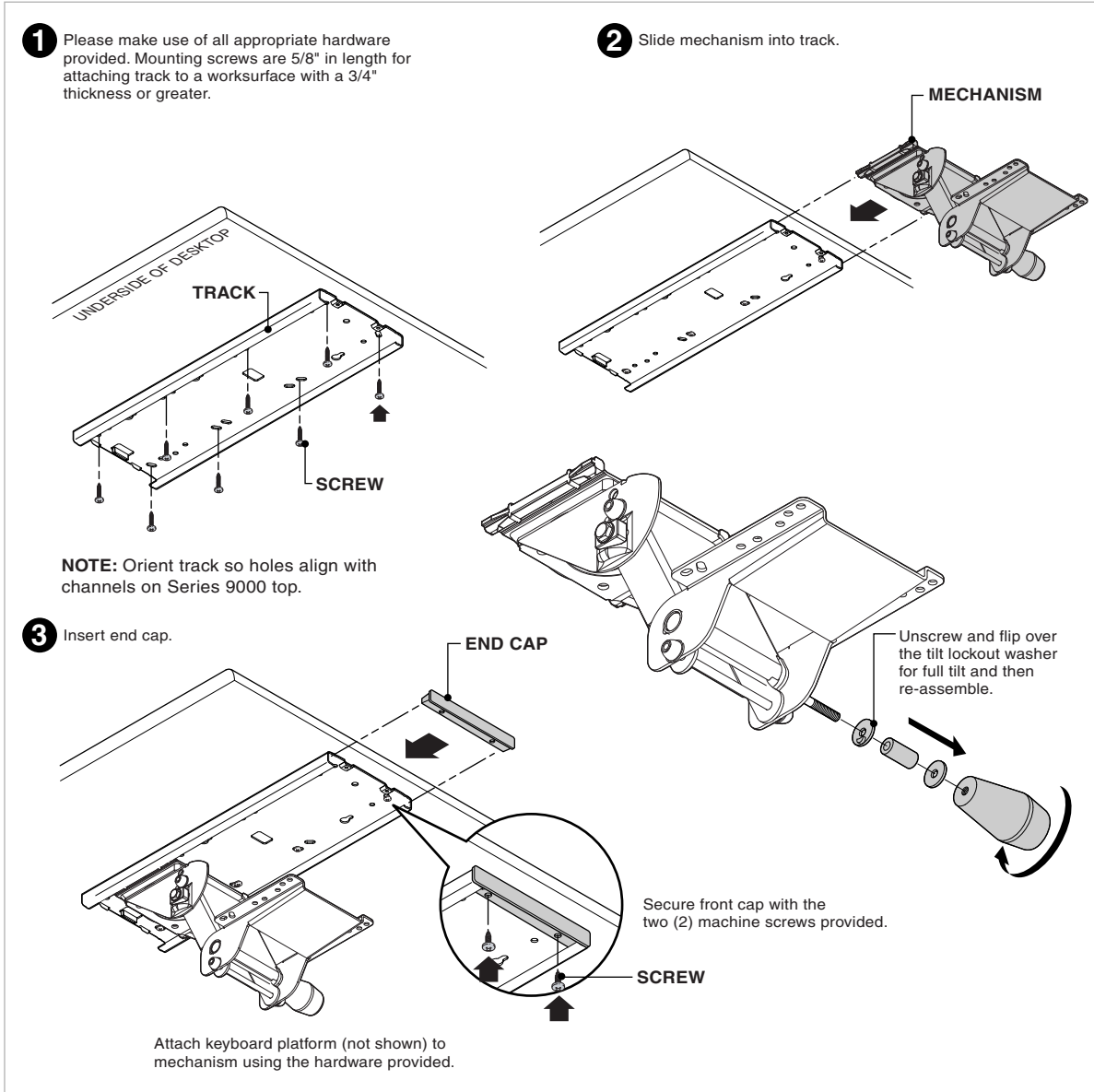
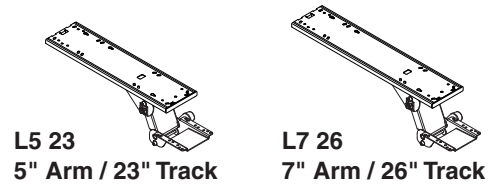
Secure front cap with the two (2) machine screws provided.

SCREW

18678201 Rev E

Lift and Lock Mechanism

(See page 1 for Stella Mechanism)



For further information, please go to the Details website details-worktools.com or call 800.833.0411

P.O. Box 1967 / CD-5E Grand Rapids, MI 49501-1967

©2010 Steelcase Inc. All rights reserved. 07/11