



# Stella Mechanism

## Customer Needs:

A readily adjustable keyboard support mechanism that is easy to operate, will work with a wide variety of support platforms and provide exceptional stability

## Product Features

### Style Numbers:

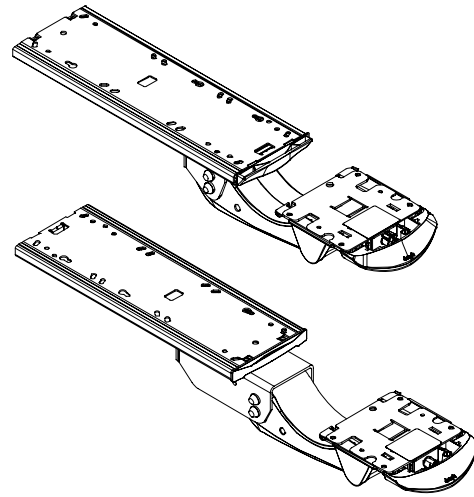
- SS20 – Standard Mechanism
- SE 23 – Extended Mechanism

### Sizes:

- SS20 – Mechanism: W6½" x H6" x D16", Track: 20"
- SE 23 – Mechanism: W6½" x H6" x D20", Track:23-¼"

### Weights:

- SS20 – 12 lbs.
- SE 23 – 16 lbs.



- Color: Black
- Construction: Arm is cast aluminum. Track is steel.
- Application: Use in straight or corner workstation configurations with all Details platforms.
- Warranty: 10 years.
- Patented knob-free adjustability
- Proprietary cable-controlled mechanism
- SS20 requires 20" worksurface depth and SE23 requires 24" worksurface depth
- Ships with positive tilt locked out.
- Tilt +/- 15°
- To adjust tilt; Pull the slide toward you, tilt platform to desired angle and release.
- Height Adjustment range 8 ½"(3-½" above track, 5" below track)
- To adjust height: Tilt the platform back, adjust height and release
- Rear swivel 360°
- Product meets or exceeds all applicable ANSI/BIFMA test standards.
- Product is Cradle to Cradle Certified.

For further information, please go to the Details website [details-worktools.com](http://details-worktools.com)  
or call 800.833.0411

P.O. Box 1967 / CD-5E Grand Rapids, MI 49501-1967  
©2010 Steelcase Inc. All rights reserved. 10/10