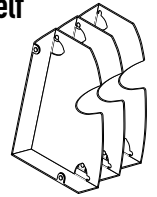




Installation Instructions

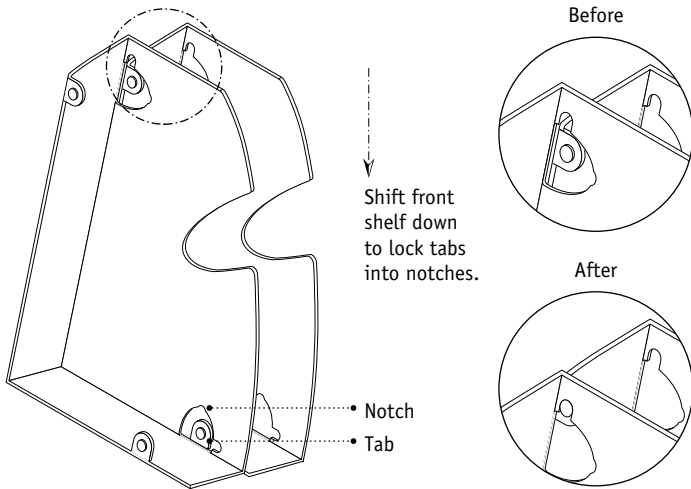
Universal Shelf
WUS, WUS3



Choose the orientation best for you: vertical or horizontal.

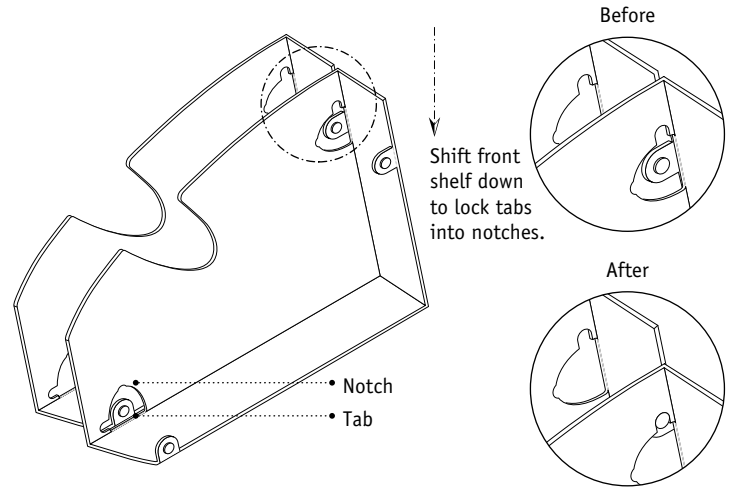
Freestanding

- Vertical Orientation
- minimum of three shelves required.
 - load from left to right.



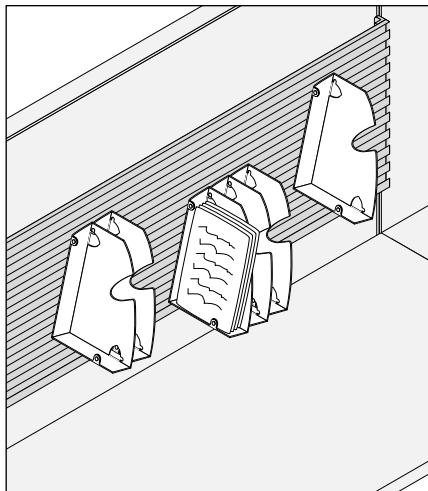
Freestanding

- Horizontal Orientation
- minimum of three shelves required.
 - load from right to left.

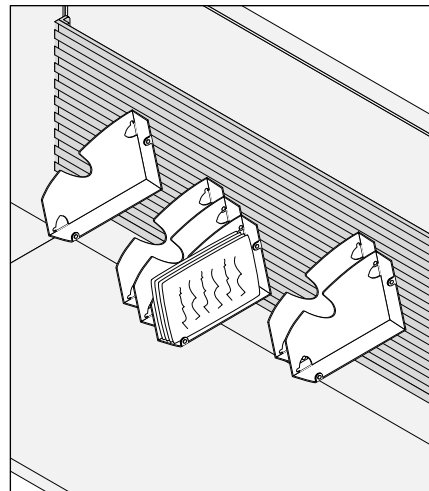


Slatwall

- may be hung individually or in unlimited groups.
- Product does not have to gang together for Slatwall use.



Vertical



Horizontal

For a better day at work.™

details®

A STEELCASE COMPANY

www.details-worktools.com
P.O. Box 1967 Grand Rapids, MI 49501-1967
All rights reserved. Printed in U.S.A. 1/05