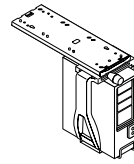


# Vertical Non-Locking CPU Cradle Installation Instructions

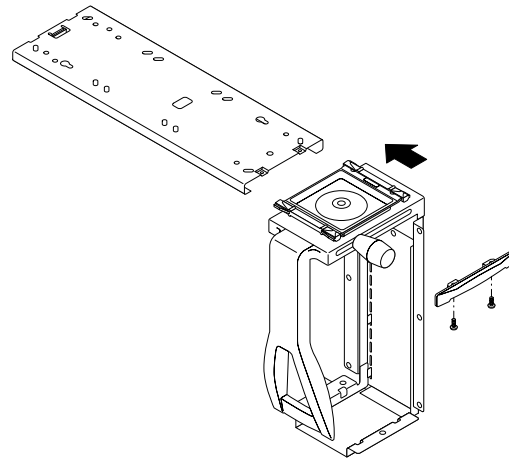
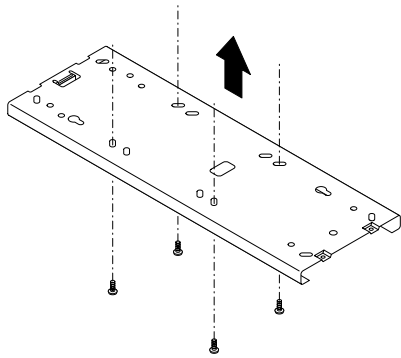


Vertical Non-Locking  
CPU Cradle  
CPRCCN

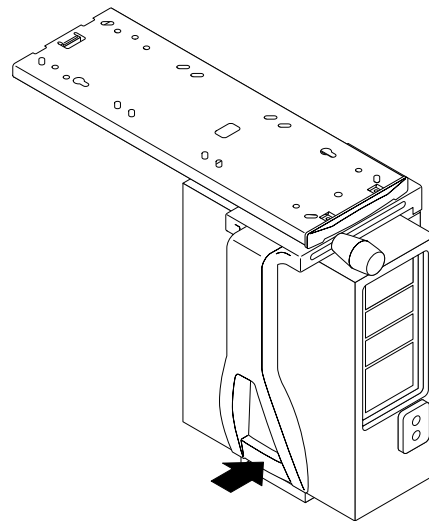
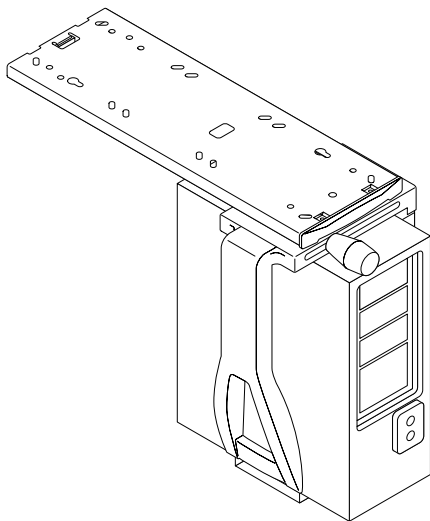
004460D Rev C Page 1 of 2

## Worksurface Mounted State

- 1 Drill 1/16" diameter pilot holes, using track as a template. Attach track using included hardware.
- 2 Slide CPU holder into track and attach plastic end cap to front of track with included hardware.



- 3 Install and adjust support bracket to fit CPU, using height adjustment slots. Center CPU in mounting bracket.
- 4 Push plastic clamp tightly against CPU and tighten knob.



For a better day at work.™

# details®

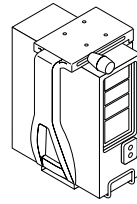
A STEELCASE COMPANY

P.O. Box 1967 / CD-5E / Grand Rapids, MI 49501-1967 / [www.details-worktools.com](http://www.details-worktools.com)

©2006 Office Details Inc. All rights reserved. Printed in U.S.A. 207

# Vertical Non-Locking CPU Cradle Installation Instructions

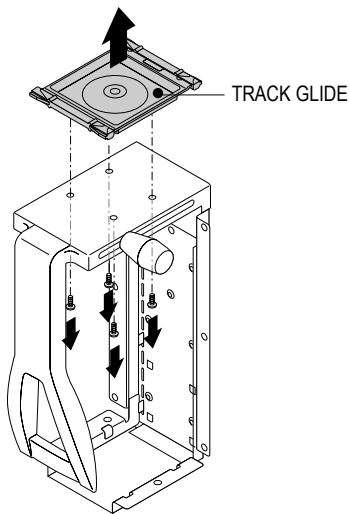
004460D Rev C Page 2 of 2



Vertical Non-Locking  
CPU Cradle  
CPRCCN

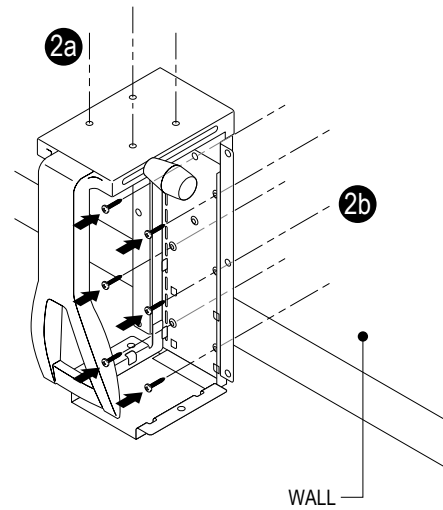
## Fixed Worksurface or Wall Mounted State

- 1 Remove track glide.

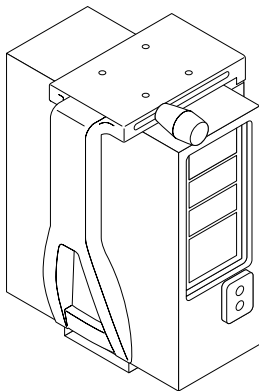


- 2a • **Fixed Worksurface Mount**  
Attach cradle to bottom side of worksurface using four screws (from hardware package).

- 2b • **Wall Mount**  
Attach cradle to wall using six screws and appropriate wall anchors (not included).



- 3 Install and adjust support bracket to fit CPU, using height adjustment slots. Center CPU in mounting bracket.



- 4 Push plastic clamp tightly against CPU and tighten knob.

